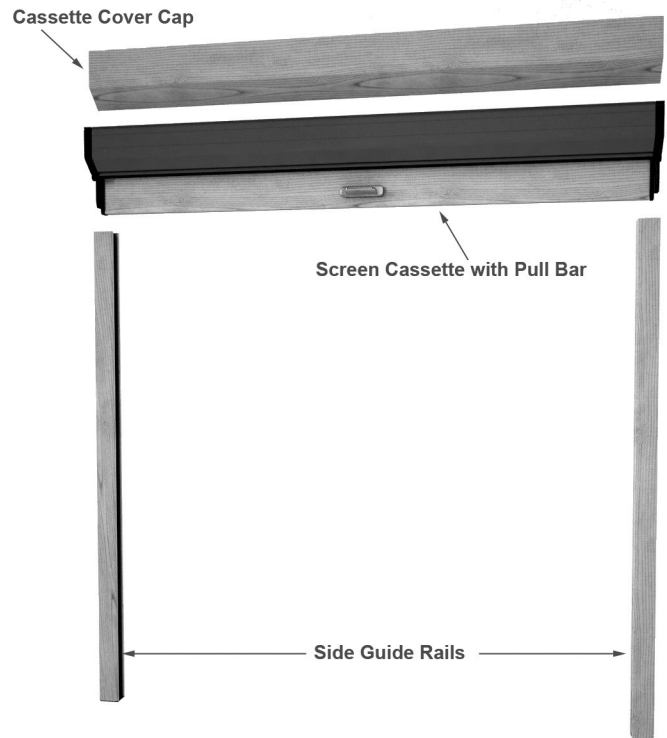


The Incognito<sup>2</sup> retractable screen is a functional and elegant way to screen any wood window. The Incognito<sup>2</sup> retractable window screen is virtually undetectable, yet readily available for use when needed. Using real wood veneer the Incognito<sup>2</sup> comes standard in a variety of wood species finishes that are ready for staining or painting for the desired appearance. Built to order Incognito<sup>2</sup> screens arrive ready to install or the system may be purchased using bulk packaged components that are ready for speedy fabrication at your location. The Incognito<sup>2</sup> looks great, operates smoothly and this screen provides the perfect finishing touch to any wood window.

## INSTALLATION INSTRUCTIONS

The Incognito<sup>2</sup> made to order screen assembly consists of four main components, the assembled Screen Cassette, two Side Guide Rails and the Cassette Cover Cap (Figure 1). All components have been specifically fabricated to fit the net screen opening dimension that was provided to Genius.

FIGURE 1



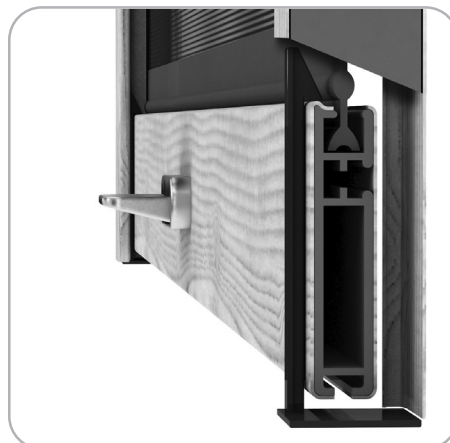
Begin by laying all of the components on a flat working surface. Slide the open end of each Side Guide Rail onto the black plastic protruding tab of the cassette end cap at each side of the Screen Cassette. Notice that at the opposite end of

each Side Guide Rail there is already installed a black plastic End Cap/Internal Latch. It is important to orient these so that the catch of this internal latch mechanism aligns with the side of the Screen Cassette Pull Bar specifically as shown.

FIGURE 2



FIGURE 3



Once assembled, carefully lift and place the screen assembly in position on the window (Figures 4 & 5). Screw the Side Guide Rails into place by applying one of the supplied #6 x 3/4" Phillips pan head screws in each of the pre-punched holes (Figure 6). Once the screen is properly anchored in the opening snap the Cassette Cover Cap into place to cover the assembled Screen Cassette (Figures 7 & 8). Next a handle needs to be installed on the Screen Cassette Pull Bar. Many users choose to supply

their own handles so that they can match the look of other existing hardware. Genius also offers a choice of beautiful, die Cast Metal Handles (part 08303003 White, 08303005 Black, 08303054 Oil Rubbed Bronze or 08303097 Satin Nickel). Genius handles are optional and must be requested. An optional Pull Cord Assembly (part 54-00029-0-5) is another useful option for operating tall or hard to reach screens.

FIGURE 4



FIGURE 5



FIGURE 6



FIGURE 7



FIGURE 8



## SCREEN OPERATION

To latch the screen open simply pull the Screen Cassette Pull Bar down all the way to the bottom (Figure 9). This will allow the Screen Cassette Pull Bar to catch on each side with the black plastic End Cap/Internal Latch that is mostly hidden just inside each Side Guide Rail (Figure 10). To retract the screen simply grasp and twist the

handle (Figure 11). This will release Screen Cassette Pull Bar from both of the Side Guide Rail End Cap/Internal Latch mechanisms (Figure 12). Allow the screen to retract and never push the screen closed faster that it will naturally retract.

FIGURE 9

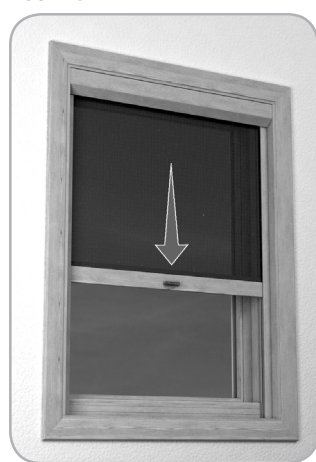


FIGURE 10

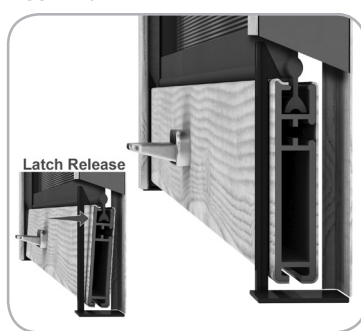


FIGURE 11



FIGURE 12

