

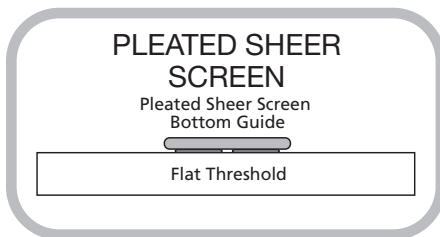
# INSTALLATION BULLETIN

## for THRESHOLD/SILL APPLICATIONS

There are multitudes of door threshold/sill designs and these must be considered before you install your **Retractable Screen**. For a proper installation it is important to have or create a level and stable surface for mounting the bottom guide of the retractable screen.

Before beginning, identify the exact location where the **Screen Cassette** will be installed, because this will influence the position of the **Bottom Guide**.

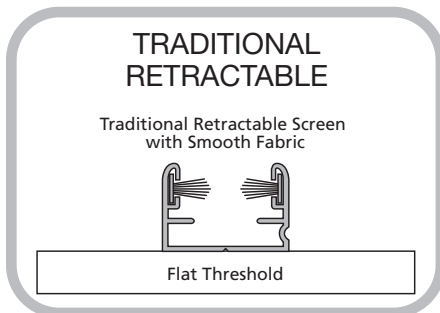
The following are some of the more typical threshold/sill designs and solutions for dealing with these instances.



A1

### FLAT THRESHOLD/SILL for PLEATED SHEER SCREEN

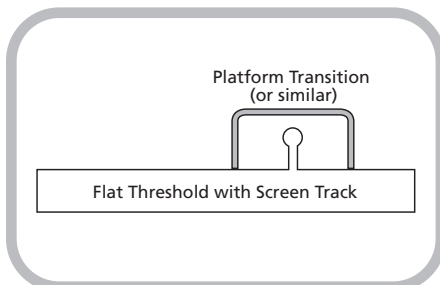
INSTRUCTIONS: Clean the surface and then mount the **Retractable Screen Bottom Guide** directly to the threshold/sill.



A2

### FLAT THRESHOLD/SILL for TRADITIONAL SCREENS

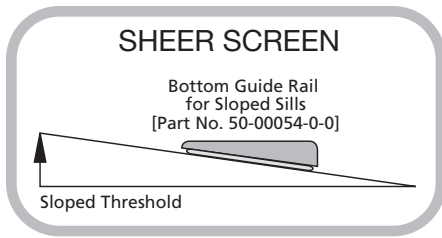
INSTRUCTIONS: Clean the surface and then mount the **Retractable Screen Bottom Guide** directly to the threshold/sill.



B1

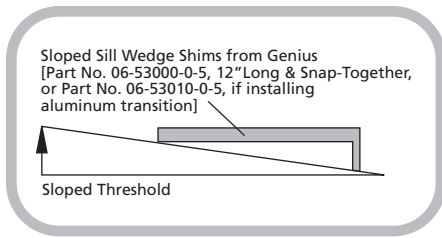
### FLAT THRESHOLD/SILL with SCREEN TRACK

INSTRUCTIONS: To span over an existing screen track and make a flat and stable surface, install material such as shown. Most hardware stores sell shim materials or various shaped aluminum profiles to achieve this.



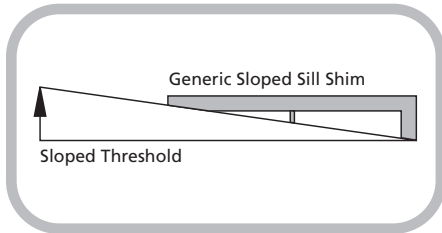
**C1** SLOPED THRESHOLD/SILL for PLEATED SHEER SCREEN

INSTRUCTIONS: If installing the Pleated Sheer Screen by Genius then use the flat **Bottom Guide Rail** that came with the screen (this works even on sloped sills with up to a 5 degree slope). For more severely angled sills, use the special **Pleated Sheer Screen Bottom Guide Rail** designed for **Sloped Sills** [C1].

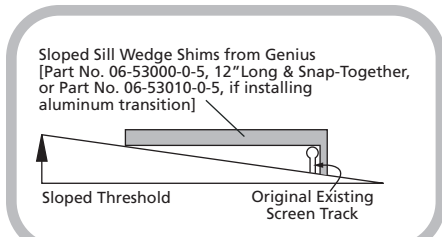


**C2** SLOPED THRESHOLD/SILL for TRADITIONAL SCREENS

INSTRUCTIONS: For all other retractable screen styles you will need to make a flat and stable surface by installing shim material using the **Genius Sloped Sill Wedge Shims** [Part #: 06-53000-0-5], or [Part # 06-53010-0-5] if installing aluminum transition [C2].

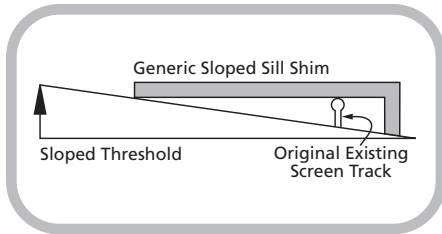


**C3** Also, most hardware stores also sell an "L" shaped aluminum trim that works nicely for this purpose [C3].

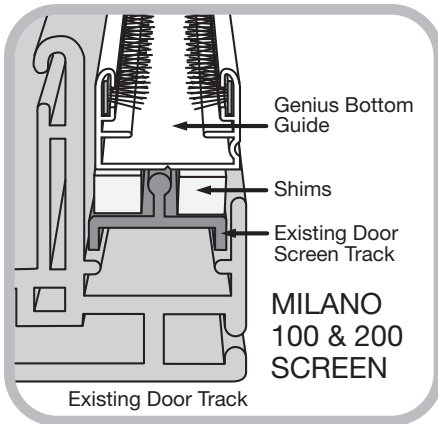


**D1** SLOPED THRESHOLD/SILL with SCREEN TRACK

INSTRUCTIONS: To span over an existing screen track and, make a flat and stable surface, install shim material such as the threshold/sill using the **Genius Sloped Sill Wedge Shims** [Part #: 06-53000-0-5], or [Part # 06-53010-0-5] if installing aluminum transition [D1].

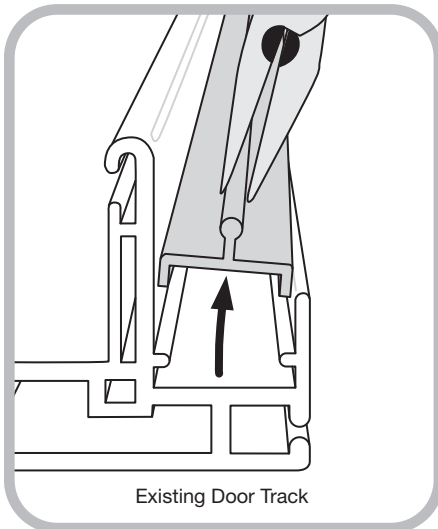


**D2** Most hardware stores also sell a flat stock or an "L" shaped aluminum trim that works nicely for this purpose [D2].

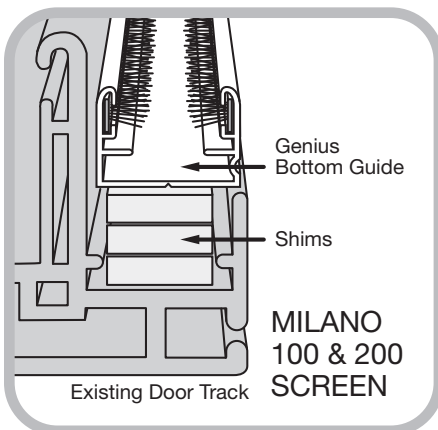


**E1** SLIDING PATIO DOOR THRESHOLDS with SCREEN TRACK

INSTRUCTIONS: Many Patio Doors have a **Screen Track [E1]** that will now be obsolete with the installation of your Retractable Screen. For all Genius non-pleated screens, there are instances where resting the **Bottom Guide** above the existing screen track is the desirable method. If needed, add shims to create a stable, level surface for mounting the **Guide**.



**E2** If however, the existing door's Screen Track is removable, take out the Track by hand or with any type of pliers [E2].



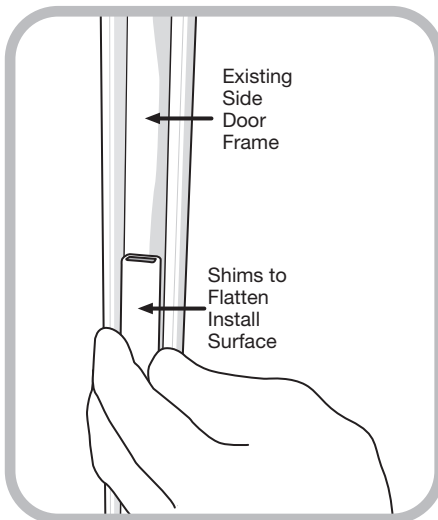
**E3** Then add non-degradable shim material (plastic, nylon or similar) [E3] so that you create a flat and stable surface for the Milano 100 or 200 Retractable Screen Bottom Guide Rail.

**Note:** Pleated screens require the use of the **Genius Pleated Sheer Screen Surface Mount Kit**. See Installation Bulletin - Genius Pleated Sheer Screen Surface Mount Kit [Publication #50-0074-0-0].



# INSTALLATION BULLETIN

## for TOP AND SIDE GUIDE RAILS



### A1 EXISTING SIDE RAIL PREPARATION with SHIMS

INSTRUCTIONS: Since there are multitudes of door master frame designs, all surfaces where you will be mounting the screen must be considered before you install the retractable screen.

In the case of the side rails, again, existing door frames may have multiple channels, or flanges of different heights, that make for a surface too uneven for efficient installation of your new screen. In this case, you will need to shim this channel or channels to the height of the tallest flange in the existing side door frame. It is recommended you order or find shims made of a non-degradable material (plastic or nylon, for example) that can be fitted into the channel(s), of sufficient length to assure a flat and vertically plumb surface for the new side rail.