

IT IS HIGHLY RECOMMENDED THAT THE INSTRUCTIONS BE READ THROUGH BEFORE INSTALLATION.

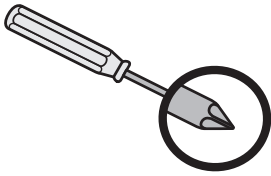


# SCREEN ON TUBE REPLACEMENT INSTRUCTIONS

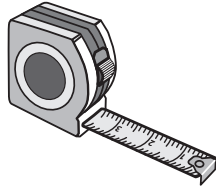
## FOR GENIUS ROLLER STYLE RETRACTABLE SCREENS

### INSTALLATION TOOLS

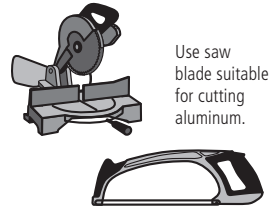
PHILLIPS SCREWDRIVER



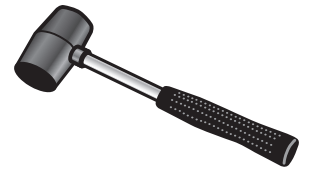
MEASURING TAPE



HAND-HELD OR POWER SAW



RUBBER Mallet

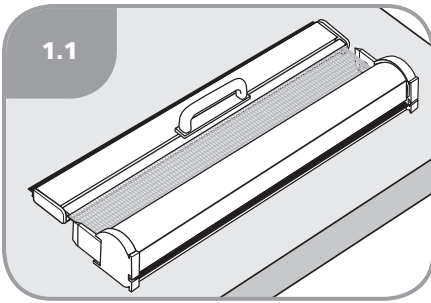


### INTRODUCTION

**NOTE:** Genius offers a variety of screen cassettes, however, the process of replacing the Screen on Tube is essentially the same. If replacing just the end cap and or springs, see steps 1.1 through 1.6 and 2.5 through 3.4.

**SAFETY NOTE:** Genius roller style retractable screen use a tension spring that can cause bodily damage if not handled correctly. It is recommended that you wear sturdy gloves before attempting to replace the Screen on Tube assemblies.

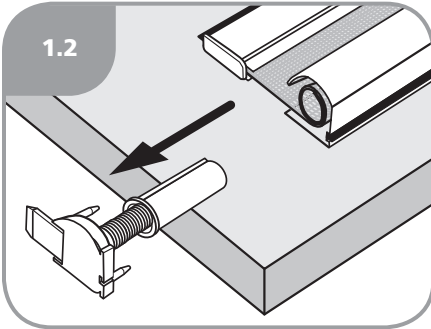
**WATCH THE VIDEO:** <https://www.youtube.com/watch?v=h03zpNSq5CQ>



# 1 REMOVAL

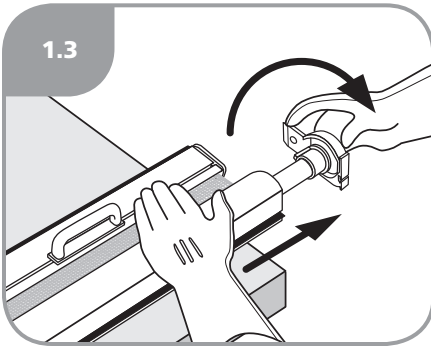
Remove the screen cassette assembly from the opening and place on the table as shown in illustration [1.1].

Remove the left cassette end cap assembly [1.2].

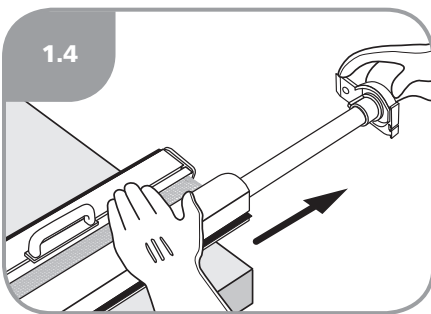


Gently loosen the right end cap from the cassette being careful to keep a firm grip on the end cap (do NOT let go). Slowly rotate the right end cap counter clockwise until all of the spring tension has been released [1.3].

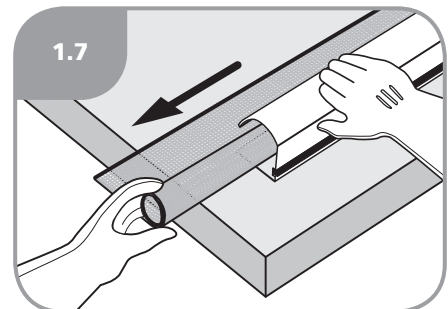
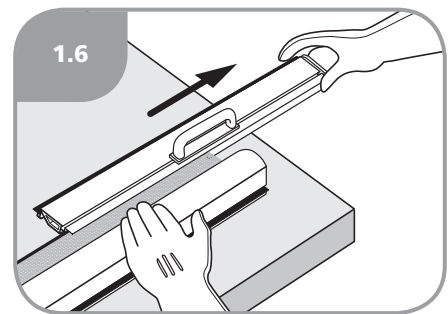
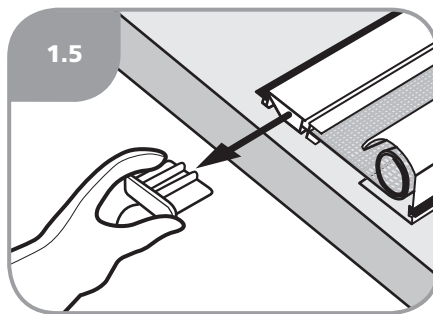
Remove the right end cap assembly [1.4].

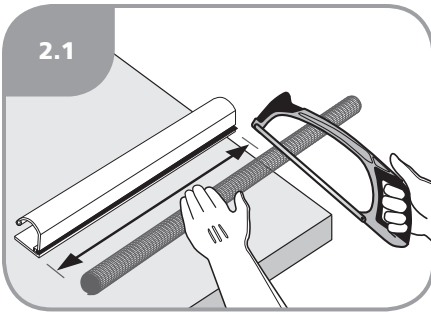


Remove one pull bar end cap [1.5] and slide the pull bar off of the rubber strip [1.6].



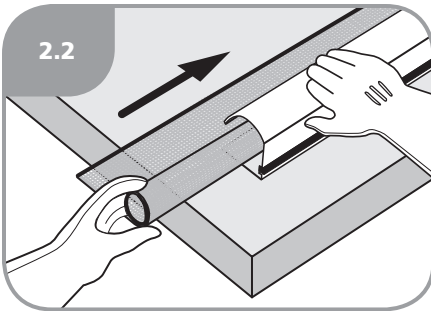
Remove the old Screen on Tube from the cassette [1.7].



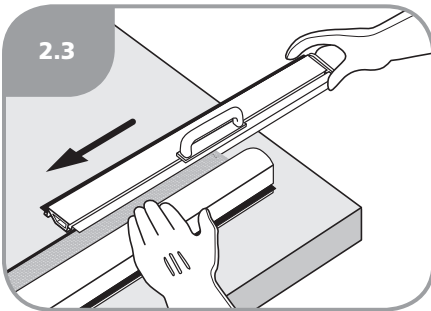


**2** REPAIR AND INSTALLATION  
Cut the new Screen on Tube refill assembly to the same length as the prior Screen on Tube assembly [2.1] & tap away any cutting shavings and debris.

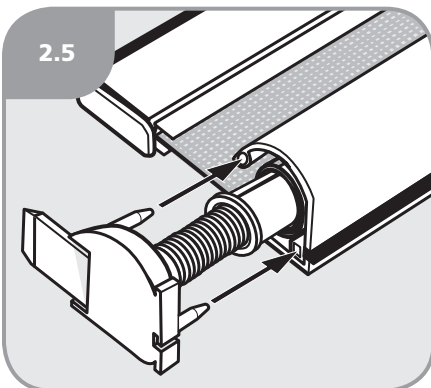
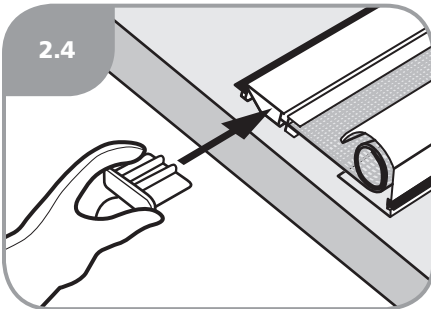
Make certain that the screen is rolled tightly and insert the Screen on Tube back inside the cassette with the rubber strip outside the cassette awaiting installation of the pull bar [2.2].

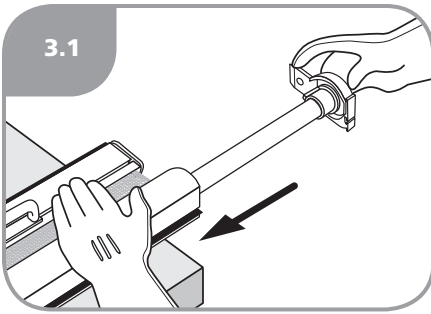


Slide the pull bar onto the rubber strip [2.3] & re-install the pull bar end cap [2.4].



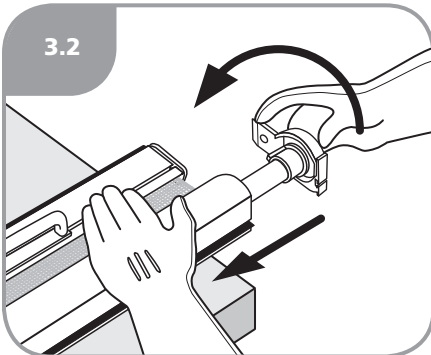
Install the left cassette end cap assembly. Be certain to fully insert the Bushing inside the inner aluminum tube before pressing the end cap fully in place [2.5].





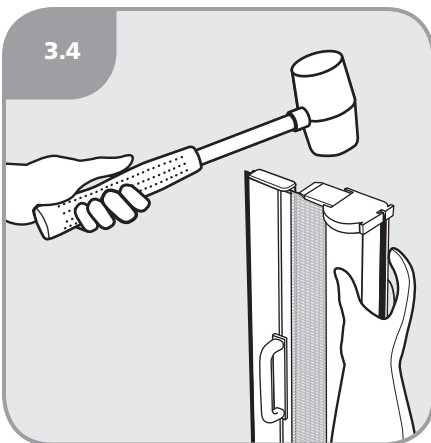
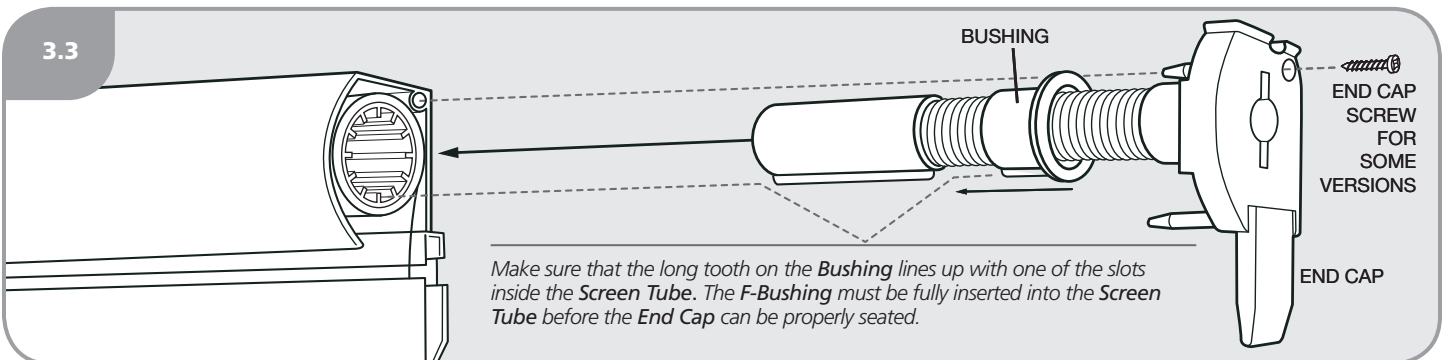
### 3 INSERT THE BUSHING

Insert the spring portion of the right end cap assembly inside the inner aluminum tube [3.1]. Using care to hold and not release the end cap, add approximately 2 full clockwise turns for every 12" of length of screen cassette [3.2].



**NOTE:** Be certain that the screen is wrapped tightly inside the **Cassette** before adding tension to the **Spring**. You may make slight adjustments to the Spring tension according to your preference for the retraction speed and pull tension. **CAUTION:** Do NOT let go of the End Cap unit until it is secured into the Cassette.

**NOTE:** When sliding the Bushing into the tube of the screen roll, make sure that the tooth of the Bushing lines up with one of the slots in the Screen Tube [3.3].



Slide the End Cap pin into the Cassette and install by tapping evenly with a soft mallet [3.4]. If your system uses a screw to secure the End Cap then install this now [3.3].

Open and close the screen several times to check the operation.

Reinstall the retractable screen in the opening.

Please visit [www.geniusscreens.com/installation](http://www.geniusscreens.com/installation) for more assistance with installing our products.