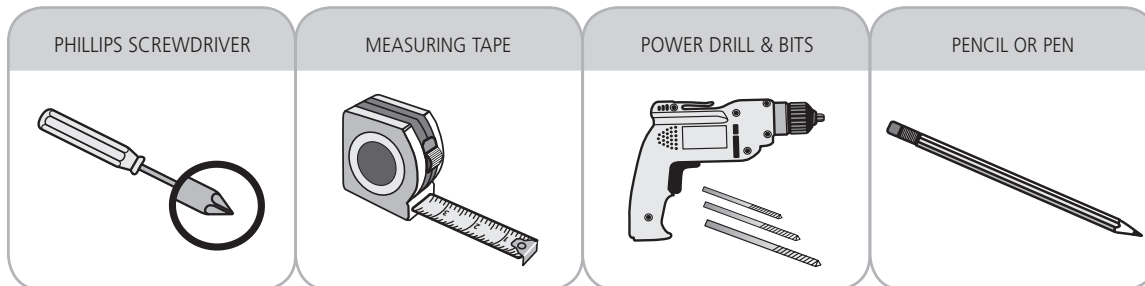


IT IS HIGHLY RECOMMENDED THAT THE INSTRUCTIONS BE READ THROUGH BEFORE INSTALLATION.



SHEER SCREEN SURFACE MOUNT KIT INSTALLATION BULLETIN

INSTALLATION TOOLS



BEFORE STARTING

There are multitudes of door frame designs and these must be considered before you install the retractable screen. It is important to a good installation that you already have, or that you make, a stable surface and square opening for mounting the retractable screen. Some doors (e.g. sliding patio, swinging Terrace doors, multi panel French doors, etc.) may not naturally allow for Inset/Recess Mounting of the Genius pleated Sheer Screen. In these cases use the **Sheer Screen Surface Mount Kit** before installing the screen. Once you have installed the Surface Mount Kit, follow the Retractable Screen Installation Instructions to install the actual Screen product.

SELECT YOUR INSTALLATION METHOD

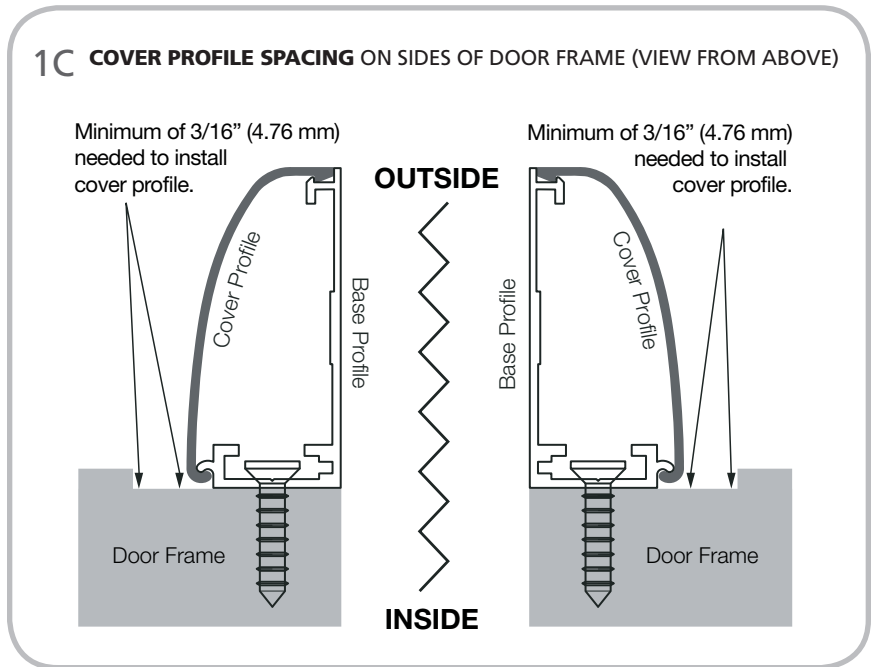
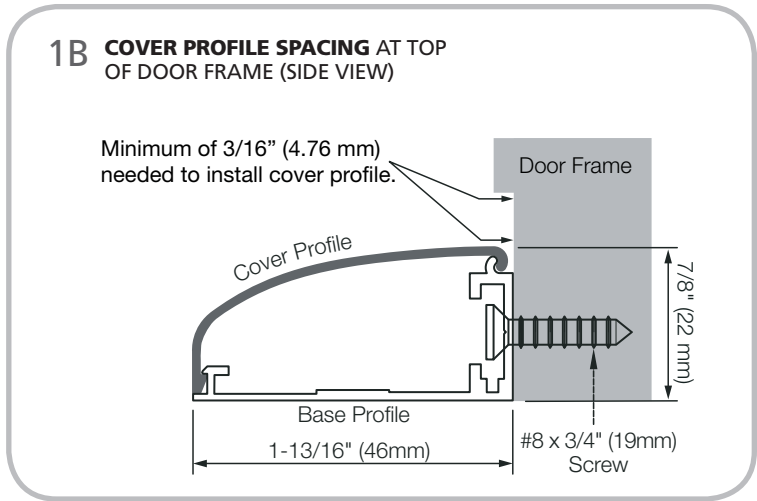
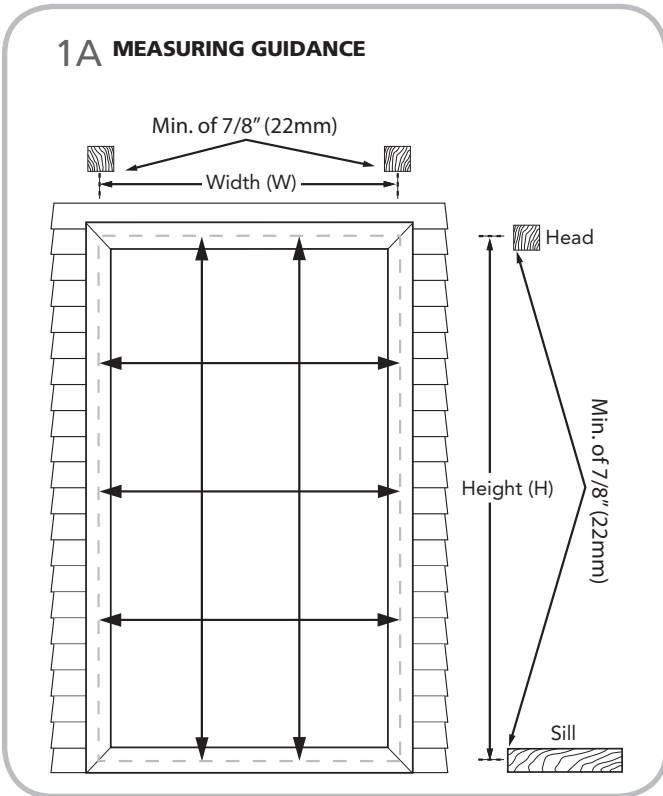
Depending upon the application, the Sheer Screen Surface Mount Kit can be applied on one, two or three sides, or as a full surround (all four sides). Once installed the Surface Mount Kit will act as a frame where the screen can then be installed. Keep in mind that many applications do not need the Surface Mount profiles on all sides. For example, in some cases a three-sided application is best (on the sides and top but not bottom) since the Sheer Screen bottom guide can often rest directly on the existing door threshold/sill. If using a Surface Mount kit Base Profile at the bottom where it may be stepped on, be sure to add bracing to strengthen and support the Profile.

1 MEASURING

Determine the best location for mounting the needed profiles. Measure to the outer-most dimensions that the **Surface Mount Frame** will mount to. You will need a minimum of 7/8" (22mm) of space to attach the **Base Profile** to the mounting surface **(1A)**. Provide width and height measurements when ordering.

Check clearance for inside handle on latch side before determining latch side location. Please allow at least 3/16" (4.8mm) of space away from any raised area of the mounting surface so that the **Cover Profile** can be easily snapped onto the **Base Profile (1B & 1C)**.

NOTE: Check that the Base Profile is positioned so that it or the side profile of the actual screen product will not interfere with access too or the operation of the door handle.



2 CUTTING

- A)** No cutting is required if you ordered the built-to-size **Surface Mount Kit**. Proceed to assembly and installation.
- B)** Cutting is required if you are using a standard **Knock-Down (KD) Kit**. Measure and cut the profile(s) to the necessary length using the calculations from the **Record Dimensions and Calculate Cut Lengths** chart below.

NOTE: If using any of the plastic **Corners** to connect the **Base Profile(s)** (see diagrams 3A & 3B, next page, part C–Corner), be certain to deduct 7/8" from each side for each corner before cutting (details next page).

DEDUCTION EXAMPLES

THREE-SIDED APPLICATIONS

Deduct 7/8" (22mm) from the height and 1-3/4" (45mm) from the width.

FOUR-SIDED APPLICATIONS

Deduct 1-3/4" (45mm) from the height and width.

RECORD DIMENSIONS & CALCULATE CUT LENGTHS

FOUR-SIDED APPLICATIONS

_____ overall width or height – 1-3/4" (45mm) = _____ cut length

ONE, TWO, OR THREE-SIDED APPLICATIONS

_____ overall width or height with no corner cap on either end – 0" = _____ cut length

_____ overall width or height with corner cap on one end – 7/8" (22mm) = _____ cut length

_____ overall width or height with corner cap on each end – 1-3/4" (45mm) = _____ cut length

3 INSTALLATION

Use the **C-Plastic Corner(s)** to assemble the **A-Base Profile(s)** into a Surround **(3A) (3B)**. Set the assembled **A-Base Profile(s)** in position on the door frame and fasten it to the door frame using the **#8 x 3/4" (19mm) Self Tapping Screws (see Figure 3C)** which are provided. Be certain that the Surface Mount Kit frame is aligned square and plumb to the opening as you screw it to the door frame. Install the decorative **B-Cover Profile(s)** by snapping them into position on the **A-Base Profile(s)**. See **3B & 3C** below for special Door Sill Profile considerations. Install the Sheer Screen (see **Sheer Screen instructions**).

