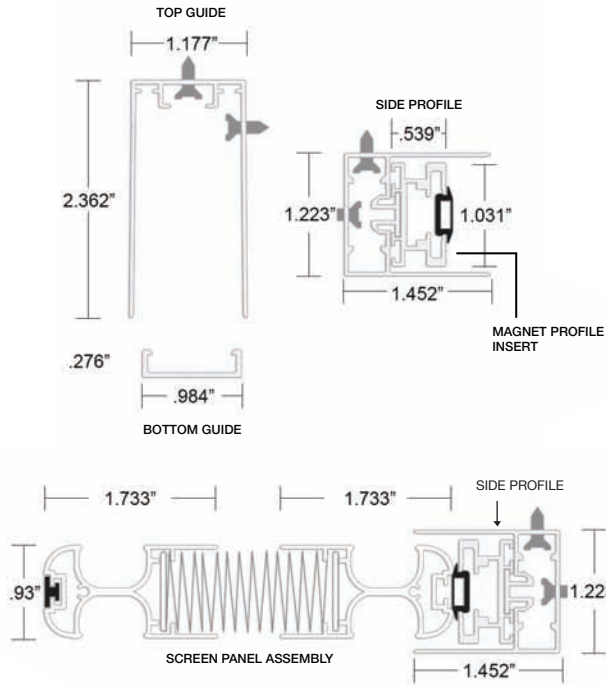


LETS GET TECHNICAL

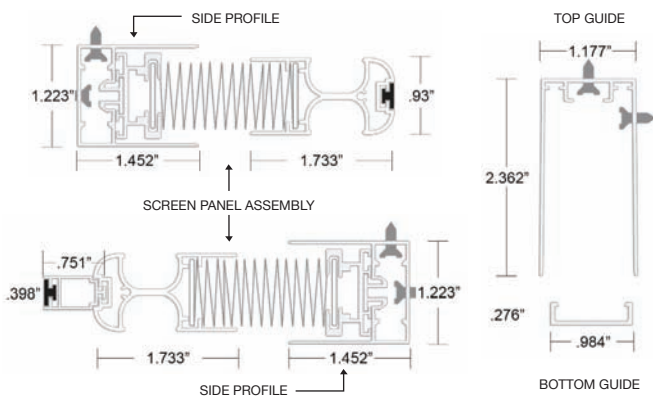
CUSTOM MADE TO SIZE IN A VARIETY OF FRAME COLORS.

- WHITE
- CREAM
- DARK BROWN
- ANODIZED SILVER
- BLACK

SERIES: ZIGZAG1



SERIES: ZIGZAG2



DISTRIBUTED BY:

**ZIGZAG**

The ideal screen solution for today's popular bi-folding, lift-n-slide and other large opening doors and windows.



## ZIGZAG1

The retractable single screen panel.

This sophisticated screen design features one large viewing panel for expansive openings.

- Elegant and stylish pleated screen fabric
- Easy, touch of a finger operation
- Screen opens at either end
- Custom made to match the net screen opening dimension
- Pre-assembled for fast and easy installation
- One large screen panel fits openings up to 180" (4.572m) wide x 126" (3.2m) tall (some height to width and maximum square feet per panel limitations apply)



## ZIGZAG2

Double panel, center-latching retractable screen

Two elegant screen panels open to meet at the center, creating a beautiful enhancement to your home.

- Elegant and stylish pleated screen fabric
- Easy, touch of a finger operation
- Two screen panels open and meet at the center
- Custom made to match the net screen opening dimension
- Pre-assembled for fast and easy installation
- Openings up to 315" (8.0m) wide x 126" (3.2m) tall (some height to width and maximum square feet per panel limitations apply)

