

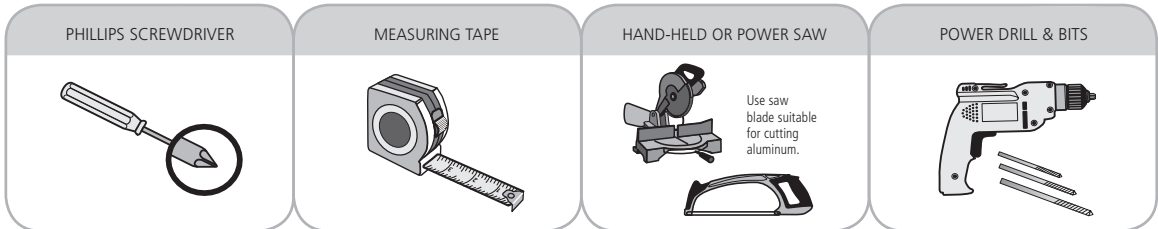
IT IS HIGHLY RECOMMENDED THAT THE INSTRUCTIONS BE READ THROUGH BEFORE INSTALLATION.



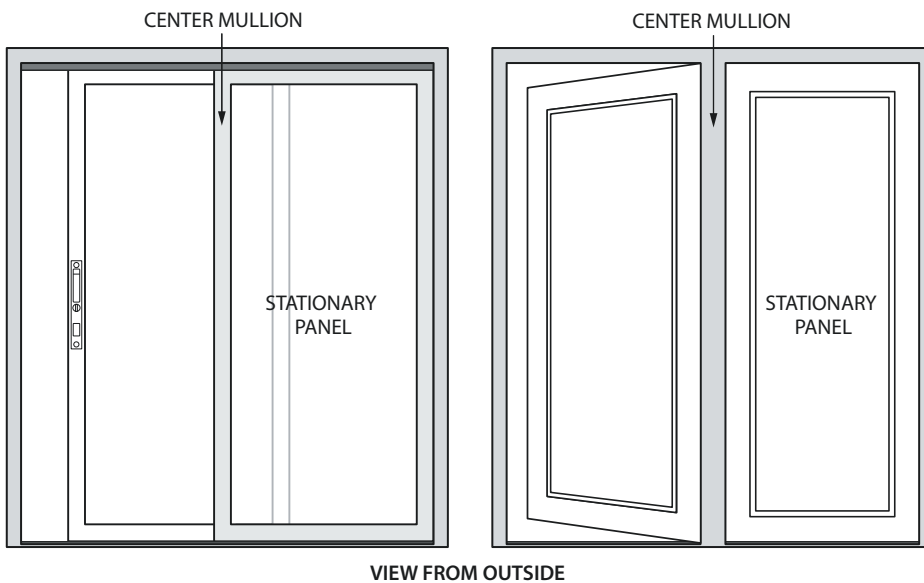
GUIDELINE FOR SLIDING & CENTER-HINGED PATIO DOORS

SHEER SCREEN PLEATED RETRACTABLE SCREENS

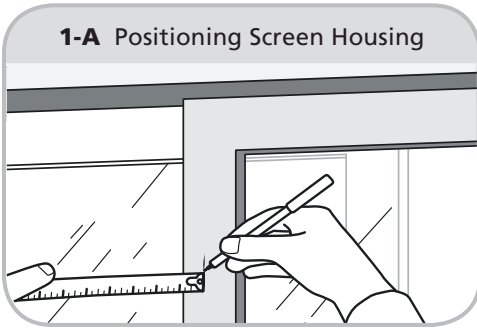
INSTALLATION TOOLS



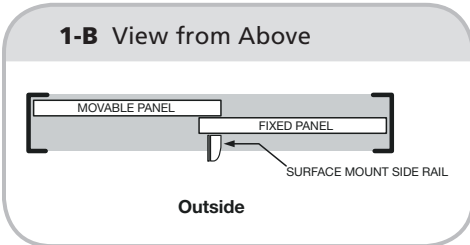
INTRODUCTION Measuring sliding or center-hinged doors for Sheer Screen pleated retractable screens is quick and easy. Each opening can vary slightly so it is always a good idea to measure each door individually before proceeding. When installing a Sheer Screen pleated retractable screen you will typically use the additional Genius Surface Mount Kit and then attach the screen cassette housing to the exterior side of the center mullion of the stationary panel. Use the Surface Mount Kit (one-sided) to affix the screen housing to the mullion of the stationary door panel. Interior installations may become necessary in the rare cases of a sliding panel on the outside or on out-swinging hinged doors. On some center-hinged doors which have a fixed mullion it may be preferable to recess (inset) mount the retractable screen. For recess mounting, please see the original instructions that accompanied the screen.



MEASURING



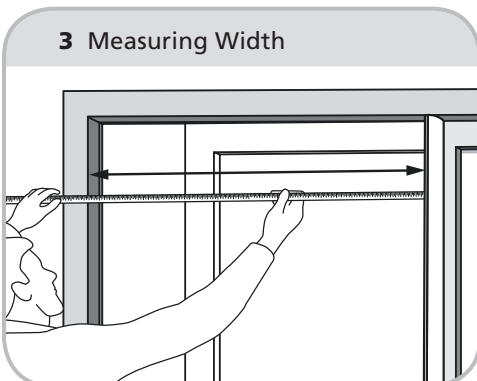
1-A Positioning Screen Housing



1-B View from Above



2 Measuring Height



3 Measuring Width

1 SURFACE MOUNT KIT PROFILE & SCREEN HOUSING

Begin by determining where you will be positioning the surface mount kit profile & screen housing on the center mullion. Measure back approximately 1" - 2" from the front edge of the mullion on both the top & bottom and place a small line here [1-A]. You will use this line momentarily in your measurements. It is vital that you leave enough room so that when fastening the screw into the surface mount kit base profile that you do not risk hitting the glass with the screw. If necessary decrease the "measure back" or use very high-bond double-sided tape to adhere the surface mount kit profile to the stationary door panel.

2 MEASURING HEIGHT

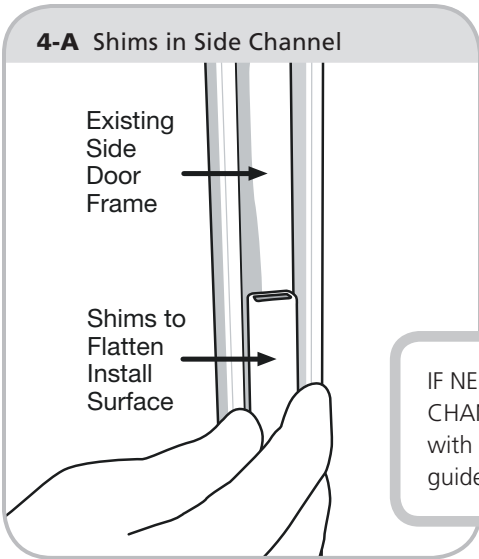
Measure the height for the surface mount kit profiles housing and the jamb side rail. Measure from the topmost lip of the bottom sill to the lowermost lip of the header and record the measurements here: _____

3 MEASURING WIDTH

The top and bottom rails dimensions are taken by measuring from the inside lip of the side jamb to one of the marked points on the center mullion that you made earlier. Record the measurement here: _____

Measuring for your desired "Net Screen Opening" dimension is now complete. Once the screen is made the assembled screen should match these dimensions. Provide the width and height measurements when ordering a fully sized and assembled screen. If installing a Sheer Advance screen kit (unassembled and intended for sizing on-site), you will use the Net Screen Opening dimensions to determine cut sizes for the various screen components. Now please reference the Installation Instructions for the sizing and assembly guidelines for the specific system you will be assembling and installing.

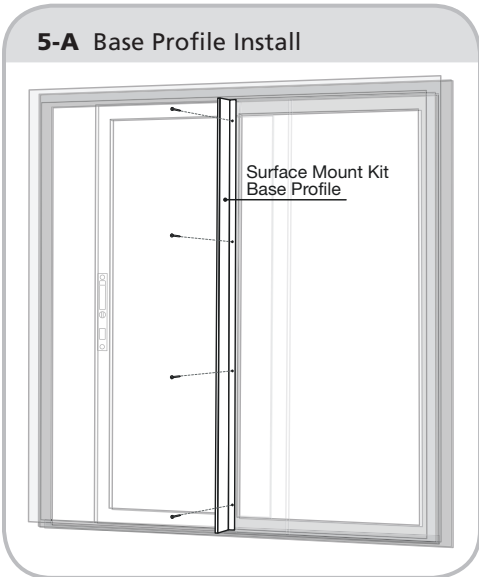
SIZING & ASSEMBLY Please reference the Installation Instructions for the sizing and assembly guidelines for the specific system that you have purchased.



4 MOUNTING SURFACES

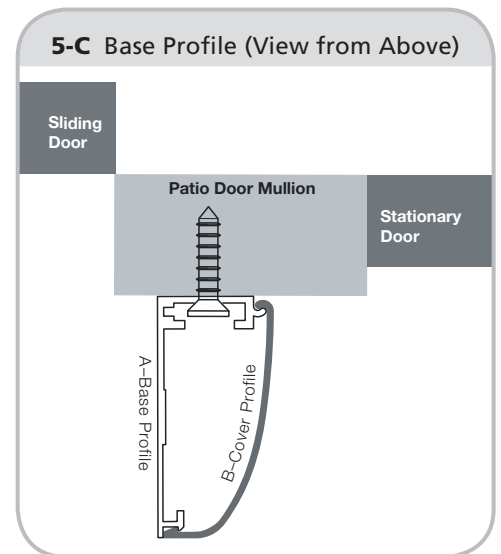
Having or creating a stable mounting surface on the top, bottom and side jamb area is critical to the installation. Depending upon the design of your master frame to may be necessary to insert shim material just inside the existing frame screen track on the side, top and bottom [4-A]. **(see 11-A through D for further assistance with bottom sill applications).** Doing this creates a stable surface to rest the rails upon prior to attaching the profiles to the door using screws.

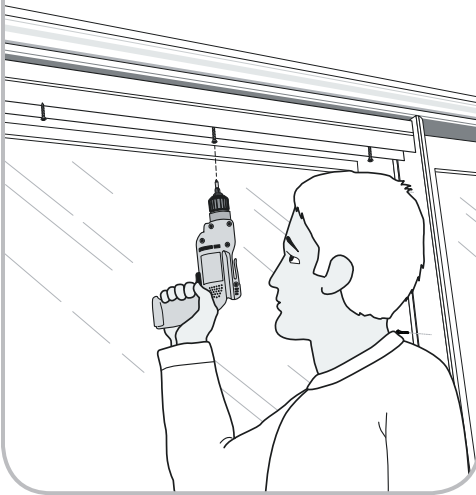
IF NEEDED APPLY SHIMS AT SIDE & TOP CHANNELS before adding and securing with screws the retractable screen top guide and side profile.



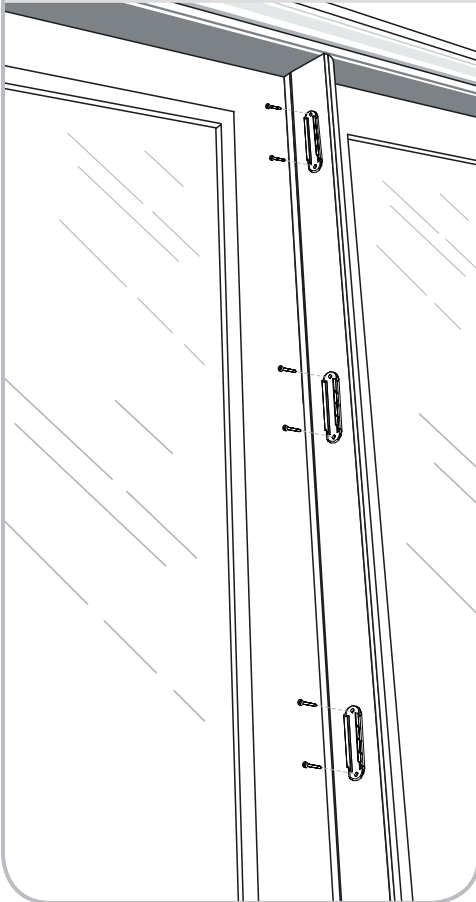
5 INSTALLING SURFACE MOUNT KIT BASE PROFILE

Attach the Surface Mount Kit Base Profile with (4) Screws, spaced as shown. [5-A]. Then snap on the Surface Mount Kit Cover Profile [5-B]. Please see the Genius Sheer Screen Surface Mount Kit installation bulletin for further detail.



6 Installing Top Guide Rail**6** INSTALLING TOP GUIDE RAIL

Make sure Top Guide Rail aligns well with the Surface Mount Kit Base Profile, and attach to bottom of the sliding door frame with three screws, as shown at left [6].

7 Install Clips for Screen Cassette**7** ALIGNING SCREEN CASSETTE

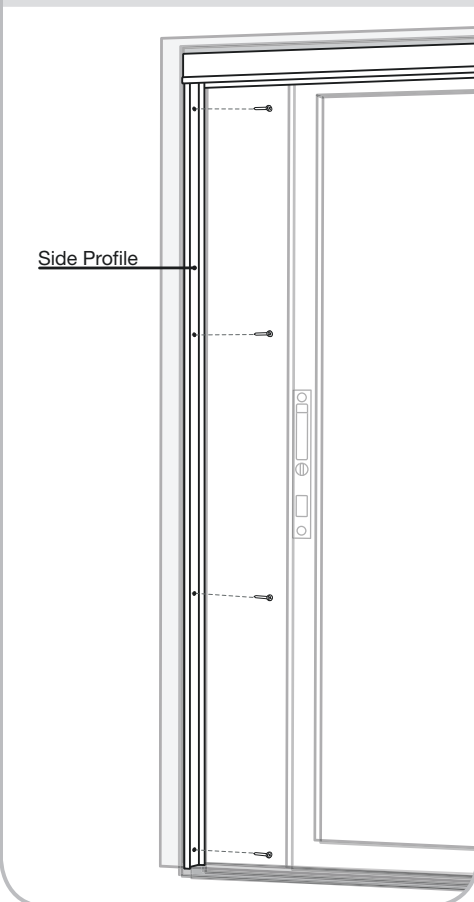
Remove the protective paper covering from the back of each cassette recess mount brackets. Position the recess mounting brackets on the surface mount profile and finish by attaching with the screws provided. It is recommended to position the top and bottom brackets approximately 6" in from the top and bottom and then evenly space the remaining brackets. If there is a gap between the surface mount kit base profile and the mullion of the door panel, build-out (fill) the gap using structural material such as wood.

8 Install Screen Cassette on Clips**8 ATTACH SHEER SCREEN CASSETTE**

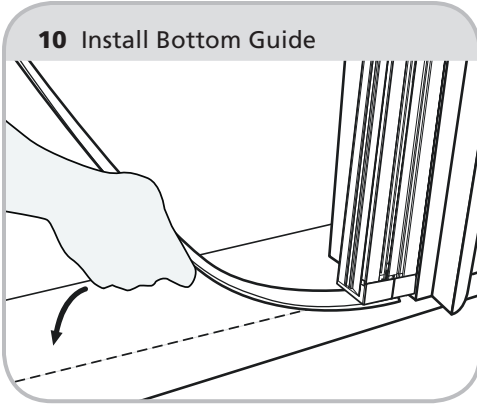
Align the rear of the screen cassette housing with the marks you previously made on the center mullion of the stationary door panel. Attach the screen cassette using screws through the surface mount clips and into the door panel frame [7]. Take great care to be certain that the screws do not strike the glass.

Tuck the top of the screen cassette into the top guide rail and then push the screen cassette so that it snaps onto the mounting brackets.

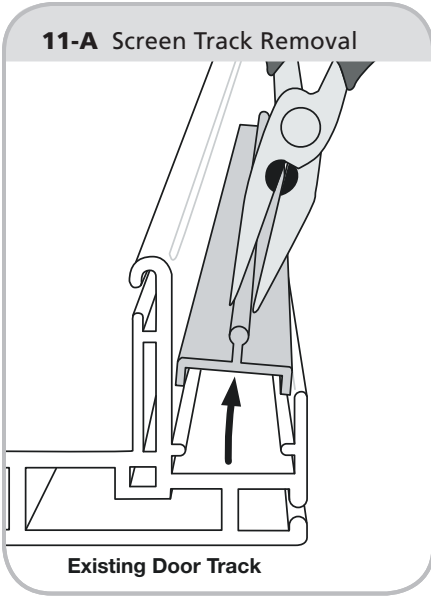
If there is a gap between the surface mount kit base profile and the mullion of the door panel, build-out (fill) the gap using structural material such as wood.

9 Install Side Profile**9 INSTALL SIDE PROFILE**

With the Side Profile inside the Top Guide Rail, center and screw to left side door frame.

**10****INSTALL BOTTOM GUIDE**

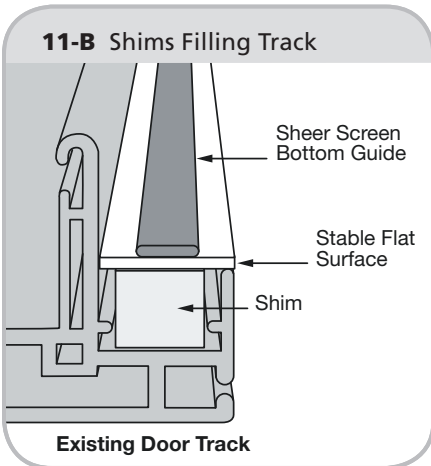
Before installing the bottom guide rail be certain that you have a flat and clean surface. Please see step 11 for further assistance with solutions to the various types of sill applications. Now remove the protective paper backing from the adhesive strip on the under side of the bottom Guide rail. Position and push the guide rail to the sill until it is firmly adhered.



11

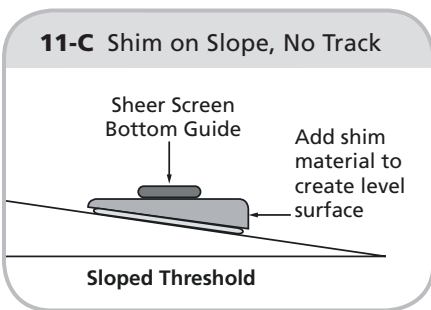
REMOVABLE SCREEN TRACKS

If however, the existing door's Screen Track is removable, take out the Track by hand or with any type of pliers [5-B].



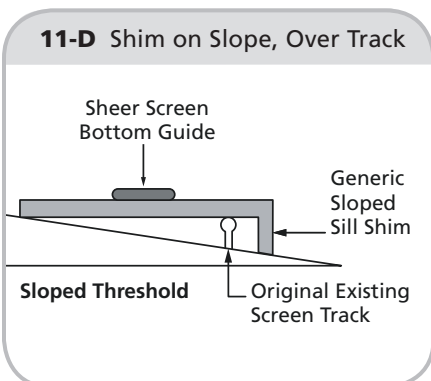
SHIM MATERIAL

Then add non-degradable shim material (plastic, nylon or similar) [E3] so that you create a flat and stable surface for the Retractable Screen Bottom Guide Rail [5-C].

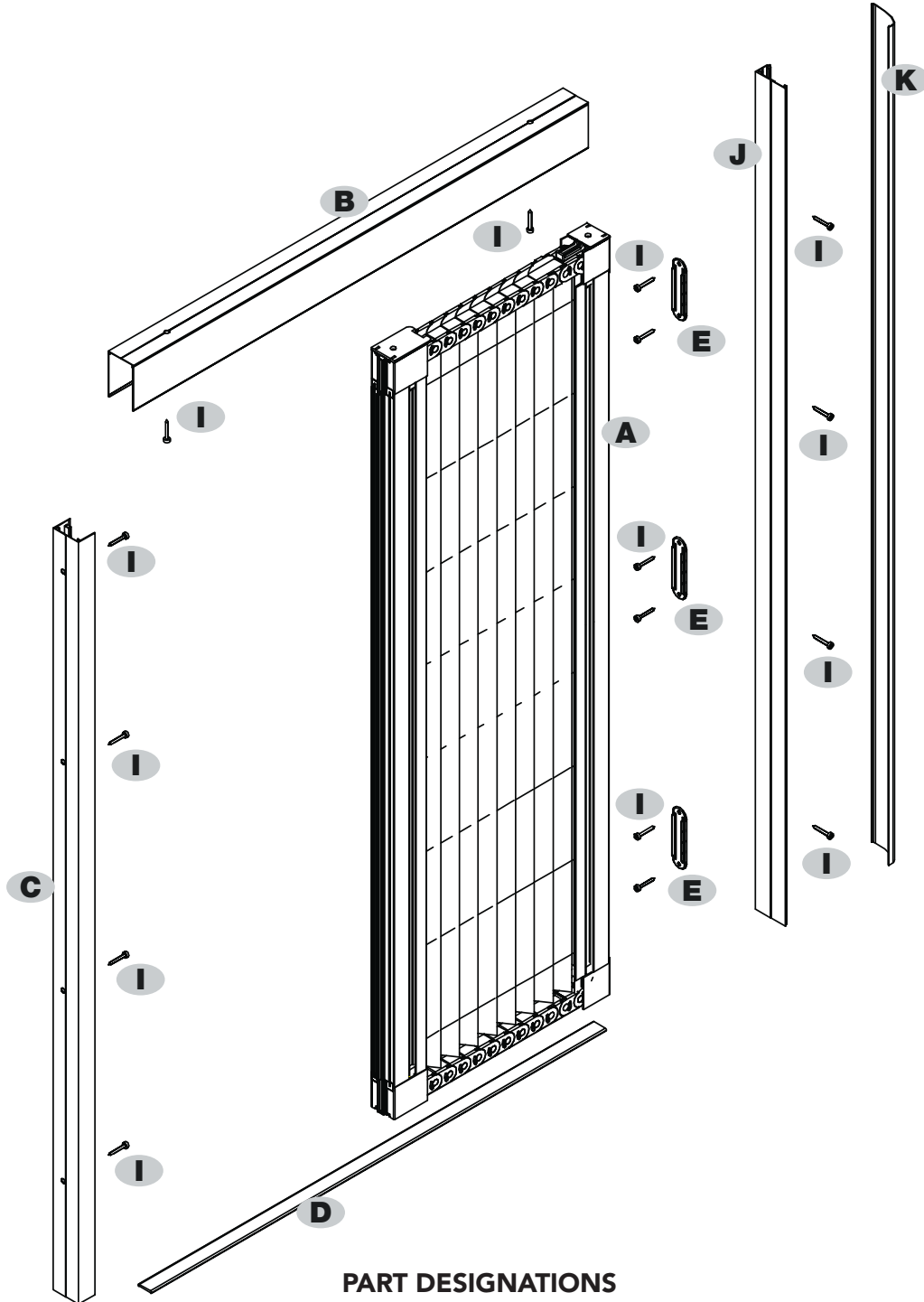


BOTTOM SILL OF CERTAIN CENTER HINGED OR SLIDING PATIO DOORS

Some doors have an angles (sloped) sill threshold. Apply shim material so the retractable screen Bottom Guide has a stable, level surface to mount on.



Some doors do not use a channel design yet they have an angled (sloped) sill threshold with an extruded monorail screen track. Apply shims or trim material in order to create a flat, solid surface onto which you can mount the retractable screen bottom guide rail.



PART DESIGNATIONS

- A** Screen Cassette
- B** Top Guide Rail
- C** Side Profile (optional)
- D** PVC Bottom Guide

- E** Recess Mount Brackets
- I** #8 x 3/4" (19mm) Screws
- J** Surface Install Base Profile
- K** Surface Install Cover Profile