

**MEASURE AND CUT KITS – SYSTEM41
PETITE CASEMENT**

INSTALLATION QUESTIONS?
PLEASE CALL OUR HELPLINE AT
1-866-523-9511
Monday–Friday 8:00 AM to 5:00 PM (CENTRAL)

TOOLS:
Measuring Tape & Pencil
Phillips Screwdriver
Soft Mallet
Drill with Assorted Bits

Measuring and installation of your new window rollerscreen is quick and simple. A typical installation involves inset mounting the screen housing (recess mounting). Unlike with some other Genius systems recess mounting clips are typically NOT used when installing the Petite Casement retractable screen. The screen housing will simply be positioned within the opening area of the window.



Casement window screens are generally on the inside of the house making the window unattractive, but now with a retracting screen the screen is no longer in the way of a clear view.

1 Mounting Options

Recess Installation: For the Petite Casement style retractable screen a recess mount installation is typical (Fig. 1).

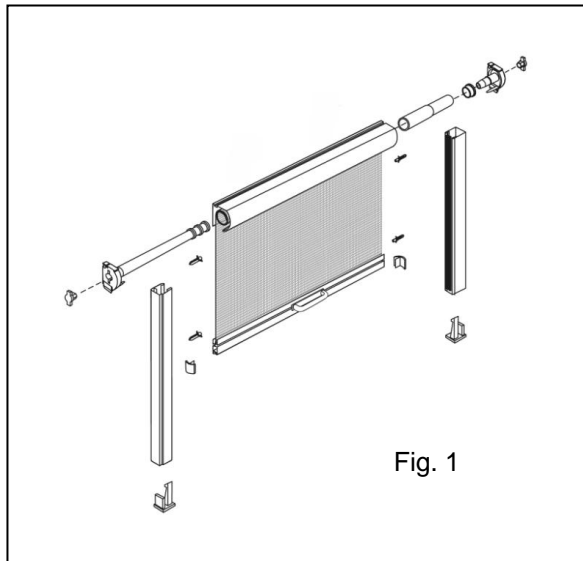


Fig. 1

2 Measuring

Measure the opening width and height in several places and record the smallest width and height measurement.

3 Cut The Cassette

Notice that the screen cassette has two removable stickers labeled “Begin Measuring From This End” (Side A), and another labeled “Cut This End” (Side B). Starting from Side A, mark your required dimension **less a 3/8” deduction**. The 3/8” deduction is an allowance for the cassette end cap with brake that you will install in step 5.

Firmly hold the Cassette and Pull Bar together and cut the Cassette assembly (including the screen) to size. Hold upright and tap away the metal shavings.

Cut The Entire Screen Cassette Assembly Using a Hand-Held or Power Saw With Metal Cutting Blade



Fig. 2

The help assure that the screen operates smoothly it is recommended that you now trim the petite pull bar an added 1/8". Doing so will provide added room for the screen to operate and this is helpful if the window has any bow or is now absolutely plumb, square and level. Before installing the pull bar end cap make a slight 45° notch (Fig. 3), on both the left and right side of the rubberized bonding strip so that once installed the end caps will rest flush with the edge of the screen (Fig. 4)

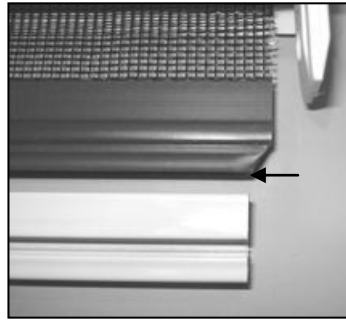


Fig. 3

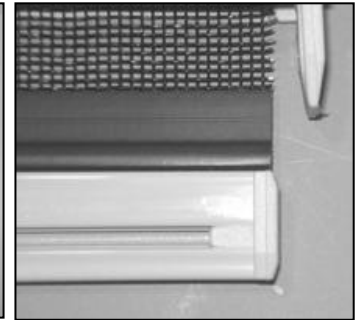


Fig. 4

4 Cut The Side Guide Rails

Mark your required dimension less the appropriate deduction as listed below. Cut the side guide rails to size.

Side Guide (5/8" H x 7/8" W / 15mm x 22mm)

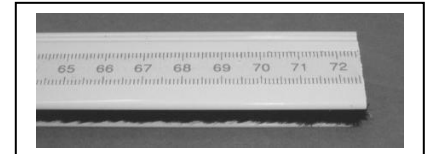


Fig. 5

SCREEN TYPE	DEDUCTION
Vertical Screens	Height of Opening then Subtract 1-7/8"

5 End Cap Assembly

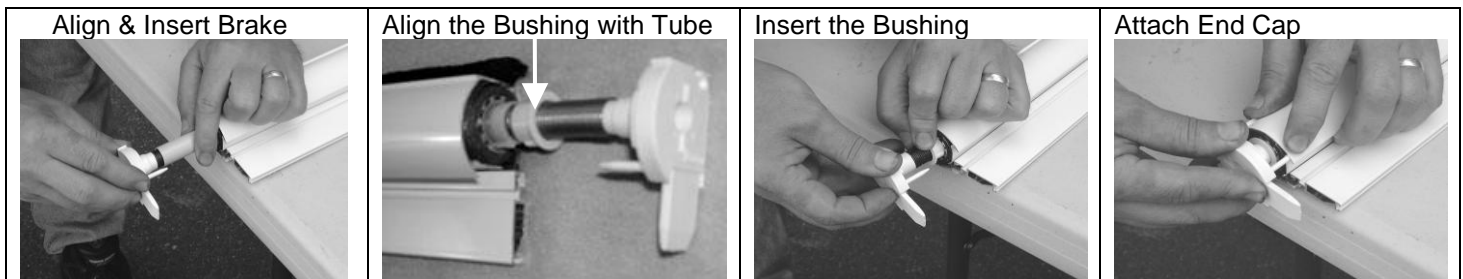
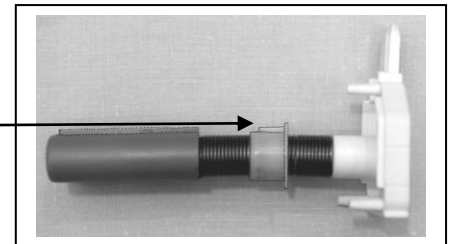
On the open end of the Cassette, insert the **END CAP with BRAKE** (Fig. 6) and then the **BUSHING** into the tube of the screen roll.



Fig. 6

Make sure that the tooth of the Bushing lines up with one of the narrow slots inside the Screen Tube. Slide the End Cap pins into the Cassette and install by tapping evenly with a soft mallet.

- **Note: It is critical that the Bushing (adjacent to the End Cap) is fully engaged inside the screen roll tube before attaching End Cap.**



6 Pull Bar End Cap Assembly

Insert the Pull Bar End Cap into the end of the Pull Bar and tap in place using a soft mallet (Fig. 8).



Fig. 8

INSTALLATION

NOTE: It is critical that the Cassette and rails be installed square and plumb in the opening. If needed use shims to square screen components in the opening

7 Installing the Cassette - Set the screen cassette in place (Fig. 9).

8 Positioning The Rails - Grasp side rails and insert the bottom internal lock/end caps (Fig. 10). Make certain that the catch of the end cap/latch is positioned to connect with the pull bar as shown (Fig. 11). Insert both side rails onto protruding edge of screen cassette end caps (Fig. 12). Align rails plum into final position on window and fasten to window frame using screws (Fig. 13).



Fig. 9

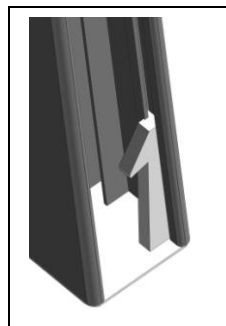


Fig. 10

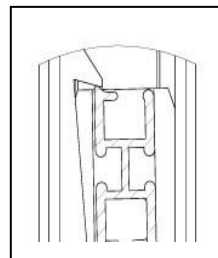


Fig. 11



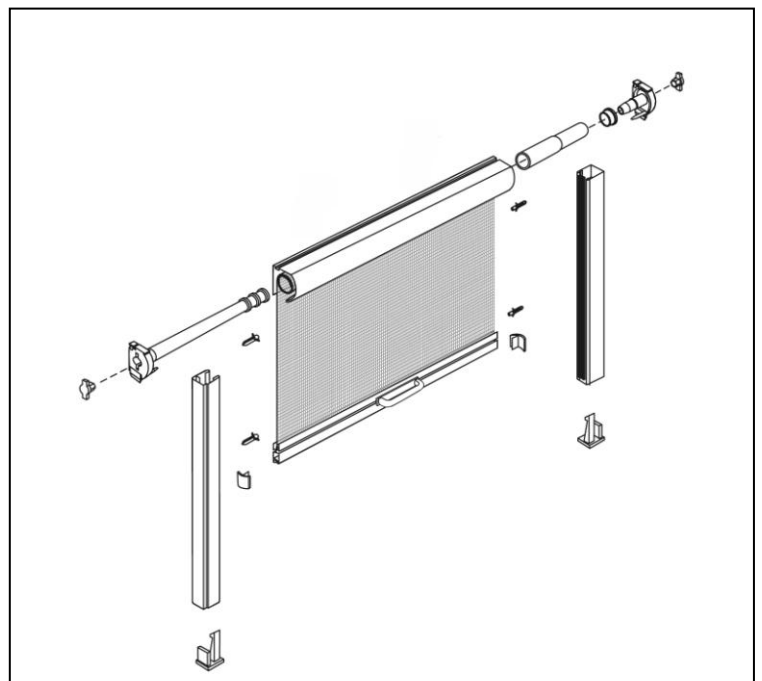
Fig. 12



Fig. 13

Operation:

During use the internal lock mechanism will automatically catch once the screen is fully extended. To retract the screen simply grasp the pull rail handle and provide a slight twisting action. Rotation of the pull rail is all that is needed to disengage the internal lock and retract the rollerscreen.



OPERATION:

During use the internal lock mechanism will automatically catch once the rollerscreen is fully extended. To retract the screen simply grasp the pull rail handle and provide a slight twisting action. Rotation of the pull rail is all that is needed to disengage the internal lock and retract the rollerscreen.

NOTE:

Instruction illustrations are provided for instructional purposes only. The actual shape of a specific component may vary depending upon the retractable screen system.

CAUTION!

This is not a safety or security screen. This product will not stop a child from falling, provide security or, protect your belongings. Please use eye protection when cutting and installing your screen.