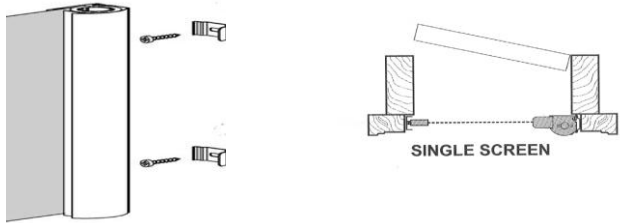


INSTALLATION QUESTIONS?  
MISSING PARTS? REPLACEMENT PARTS?  
**DON'T GO BACK TO THE STORE!**  
PLEASE CALL OUR HOMEOWNER HELPLINE  
**1-866-523-9511**  
Monday–Friday 8:00 AM to 5:00 PM (CENTRAL)

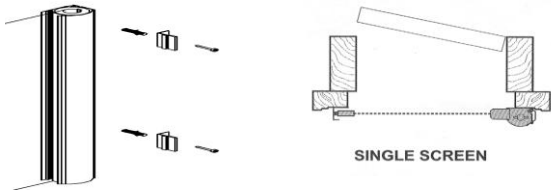
**TOOLS REQUIRED:**  
Measuring Tape & Pencil  
Phillips Screwdriver  
Soft Mallet  
Drill and Drill Bits  
Hand-Held Saw or Power Chop Saw  
(Appropriate for Cutting Aluminum)

**1 Mounting Options**

Recess Installation: Mount the Screen Cassette using Recess Mounting Clips Recess within the door jamb area. Recess installations are the most typically used application.

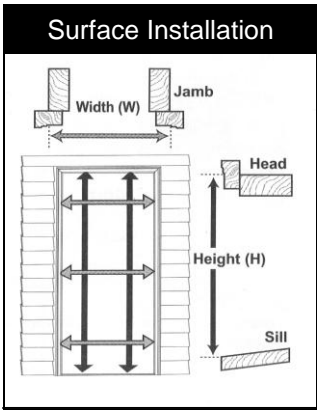
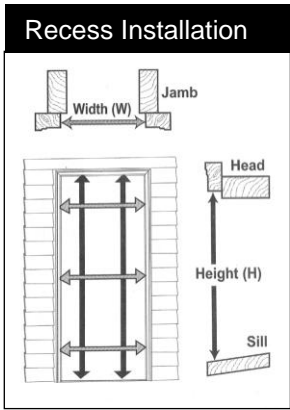


Surface Installation: Surface/Flush mounting the screen using Surface Mount Clips



**2 Measuring**

Measure the opening width and height in several places – see illustration. Record the SMALLEST width and height measurement.

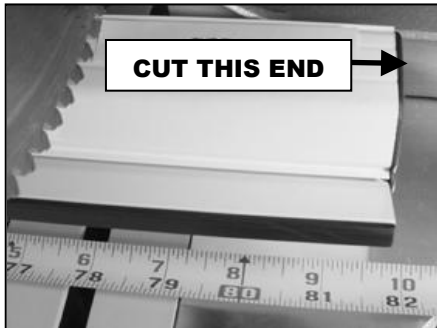


**3 Cut The Cassette**

Notice that the screen cassette has two removable stickers labeled “Begin Measuring From This End” (Side A), and another labeled “Cut This End” (Side B). Starting from Side A, mark your required net height dimension **less a 3/8” deduction**. The 3/8” deduction is an allowance for the cassette end cap with brake that you will install in step 6.

Firmly hold the Cassette and Pull Bar together and cut the Cassette assembly (including the screen) to size. Hold upright and tap away the metal shavings.

**Cut The Entire Screen Cassette Assembly Using a Hand-Held or Power Saw With Metal Cutting Blade**

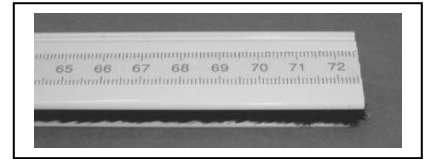


## 4 Cut The Top and Bottom Rails

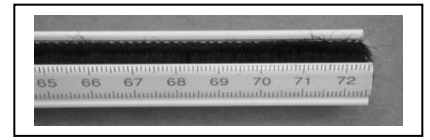
Mark your required net width dimension less the appropriate deduction as listed below. Cut the rails to size.

SCREEN TYPE	DEDUCTION
Single Door Screens	Width of Opening then Subtract <b>1-3/4"</b>

**Top Guide** (1-1/8" H x 7/8" W / 30mm x 22mm)

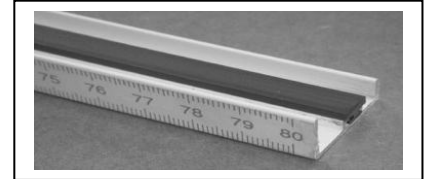


**Bottom Guide** (5/8" H x 7/8" W / 15mm x 22mm)



## 5 Cut The Dual-Mount Side Rail with Magnet

Cut the side rail to the height of the opening; no added deduction is needed.



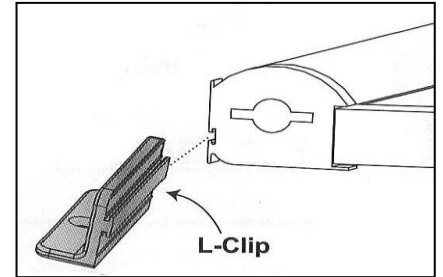
**Dual Mount Side Rail with Magnet**

## 6 End Cap Assembly

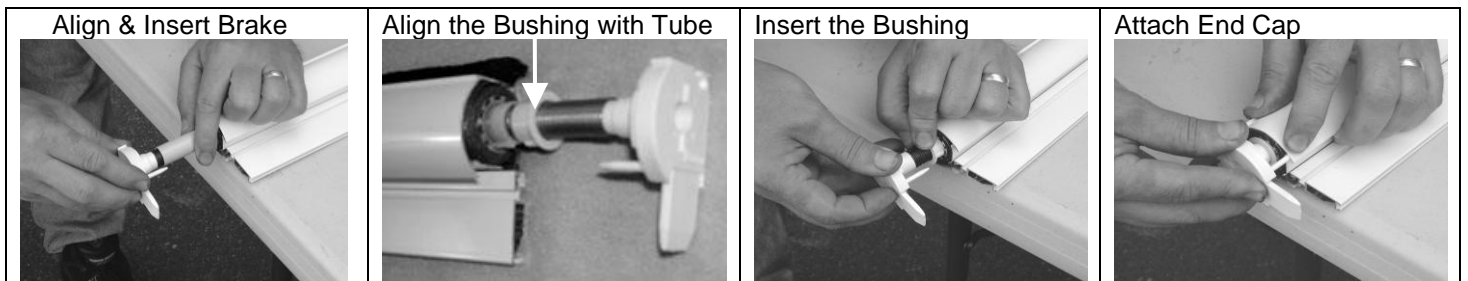
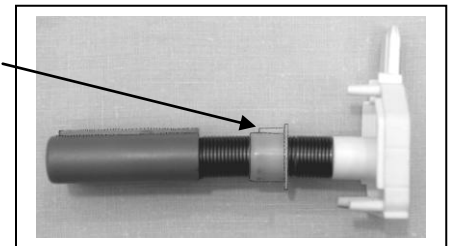
If surface mounting the screen then slide the two L-Clips into the groove on the rear of the Cassette before proceeding. The Surface Mount L-Clips will be used in step 9-B to secure the Cassette to the entry.

On the open end of the Cassette, insert the **END CAP with BRAKE** and then the **BUSHING** into the tube of the screen roll. Make sure that the tooth of the Bushing lines up with one of the narrow slots inside the Screen Tube. Slide the End Cap pins into the Cassette and install by tapping evenly with a soft mallet and secure the end cap with screw.

End Cap with Bushing and Brake



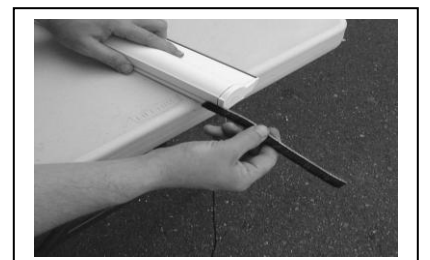
- Note:** It is critical that the Bushing (adjacent to the End Cap) is fully engaged inside the screen roll tube before attaching End Cap.



## 7 Pile Weather Strip Assembly

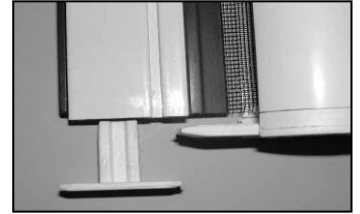
### RECESS MOUNTING

Slide the pile weather stripping into the channel located on the rear of the Cassette and then trim to length.



## 8 Pull Bar End Cap Assembly

Insert the Pull Bar End Cap into the end of the Pull Bar and tap in place using a soft mallet.

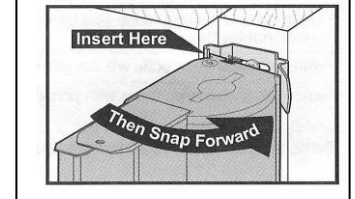
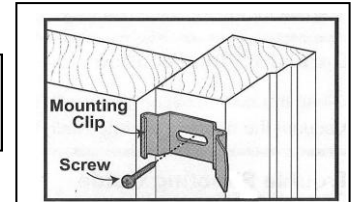


# INSTALLATION

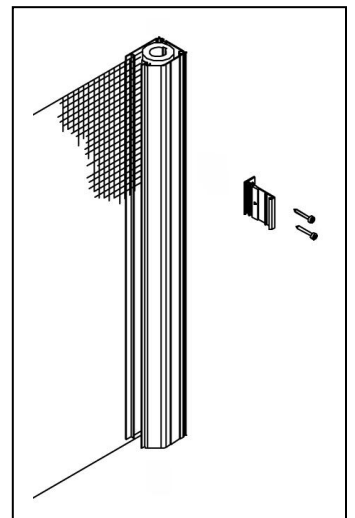
**NOTE:** It is critical that the Cassette and rails be installed square and plumb in the opening. If needed use shims to square screen components in the opening

## 9 Installing the Cassette

**9-A Recess Installation:** Install the Recess Mounting Clips 18" from the top and bottom of the entry. Lock the Cassette onto the mounting clips.

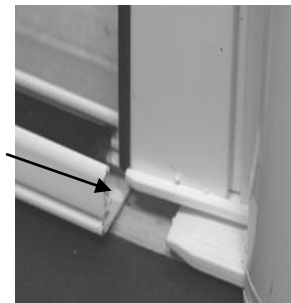


**9-B Surface Installation:** Insert the L-Clips in the groove on the back side of the cassette. Place the cassette on the door frame and locate the surface mount brackets approximately 18" from the top and bottom of the entry. Insert screws into the Surface Mount L-Clips to secure the screen cassette to the opening.

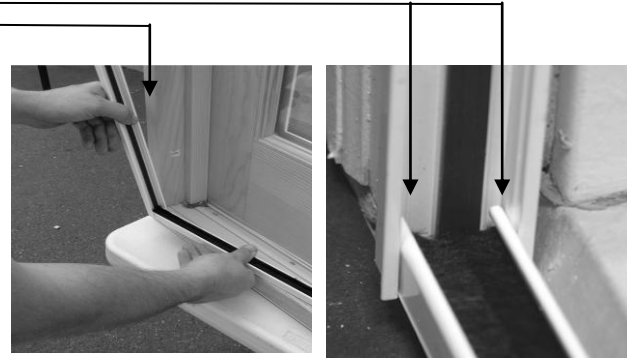
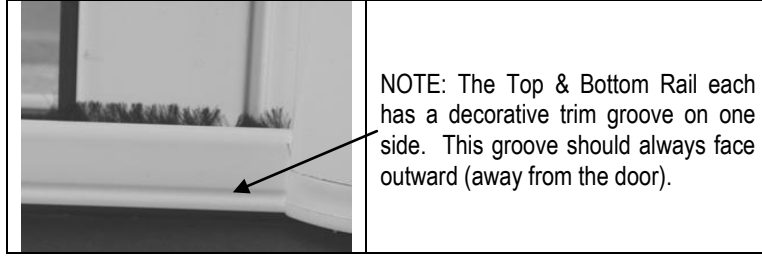


## 10 Positioning The Rails

Slide the Bottom Rail fully onto the tab on the Cassette End Cap. **Make certain that the pull bar end caps rest up on the glide rail platforms within the bottom guide rail** (not below within the protected screw chamber area). Repeat this step for the Top Rail (the larger of the rails).



Position the opposite edges of the bottom/Top Rails within the edges of the Side Rail and gently move the rails into position within the door opening.



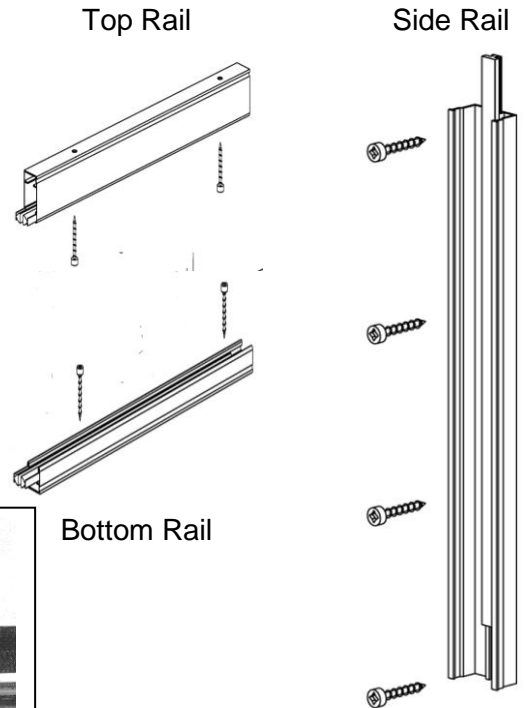
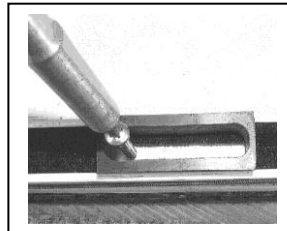
## 11 Secure The Rails With Screws

### 11-A: Recess Installation:

When installing the bottom and top guide rail it is helpful to press and slide the convenient plastic pile opener into the rail to temporarily separate the insect pile to see and work within. This is useful when installing the screws. Remove and discard the plastic pile opener when finished.

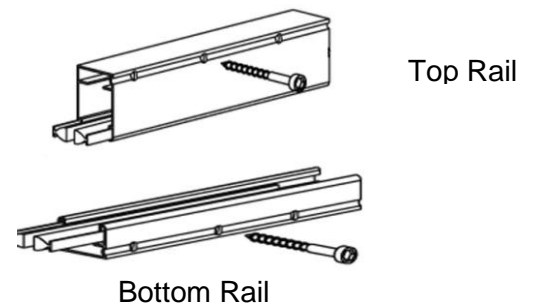
Position the screen in the opening. Secure the bottom guide rail, top guide rail and side magnetic profile with screws.

Pile Opener



### 11-B: Surface Installation:

Top & Bottom Rail: Using the decorative trim groove as a guide (staying underneath the glide platforms inside the rail), drill 1/8" holes evenly spaced through both sides of the rail. Secure the rail to the entry with screws; do not over tighten.



**NOTE:**

Instruction illustrations are provided for instructional purposes only. The actual shape of a specific component may vary depending upon the retractable screen system.

**CAUTION!**

This is not a safety or security screen. This product will not stop a child from falling, provide security or, protect your belongings. Please use eye protection when cutting and installing your screen.

View Our On-Line  
**EASY INSTALL DOOR** Video at  
[www.geniusscreens.com](http://www.geniusscreens.com)  
 Technical Assistance Please Call  
**1-866-523-9511**  
 Monday–Friday 8:00 AM to 5:00 PM (CENTRAL)

**SINGLE DOOR SCREEN**

ITEM	DESCRIPTION	
1	Screen Cassette	
2	End Cap	
3	Bushing	
4	End Cap Plug	
5	Bottom Rail (15mm)	
6	Spring Assembly	
7	End Cap for Pull Bar	
8	Top Rail (30mm)	
9	Handles	
10	Recess Mount Clip	
11	Pull Bar with Magnet	
12	Magnetic Strip (+ or -)	
13	Side Rail with Magnet	
14	Surface Mount Clip	

MAJOR PARTS:				
				Bag Containing Spring, Handles, End Caps and Other Parts
<b>Screen Cassette</b>	<b>Side Rail w/Magnet</b>	<b>Top Rail</b>	<b>Bottom Rail</b>	<b>Accessory Kit</b>

## TROUBLESHOOTING GUIDE

<p><b>IT IS DIFFICULT TO PULL THE RETRACTABLE SCREEN ACROSS THE OPENING OR THE RETRACTABLE SCREEN SEEMS TO BOUNCE AS IT OPENS AND CLOSES.</b></p>	<p>Check the top and bottom guides for screws that may not have been driven flush into the guides causing the screen to drag.</p> <p>Clean any debris from inside the bottom guide.</p> <p>Make sure that the Cassette housing has a 90<sup>o</sup> cut. If not, trim so it is a straight cut.</p> <p>Check to insure that <b>both End Cap Bushings (item "D"), are fully inserted inside Screen Tube.</b> A bouncing effect is a sign that one or more Bushings may not be correctly installed.</p> <p>Check to see if the Pull Bar is rubbing and needs to be trimmed down.</p> <p>Check to see that the Plastic Pull Bar End Cap is gliding on the glide rails within the bottom rail track and NOT underneath the glide rails within the screw chamber.</p>
<p><b>THE RETRACTABLE SCREEN BINDS OR WILL NOT RETRACT INTO THE CASSETTE HOUSING PROPERLY.</b></p>	<p>See above steps.</p> <p>Make sure that the screen fabric has a clean cut and is not jagged; if so, trim so it is a straight cut.</p> <p>Check to see if either the housing or inner tube have been twisted, bent or otherwise damaged during shipping.</p>
<p><b>INSECT PILE MOVES IN THE TOP OR BOTTOM RAILS.</b></p>	<p>Ends of the insect pile and aluminum track need to be crimped together to prevent movement.</p>
<p><b>SCREEN HANDLES HIT OR RUB ON DOOR HARDWARE.</b></p>	<p>Raise or lower the handle so that it no longer strikes the door hardware.</p>
<p><b>SCREEN FALLS OUT OF TOP GUIDE.</b></p>	<p>Height measurements may be off. If the unit was cut too short, shim up along bottom. Pull Bar may be cut too short. Check measurements and consult the cutting instructions.</p> <p>Check to see if the floor is level and that the opening is square; apply shims as needed.</p>
<p><b>THE DOOR BOTTOM THRESHHOLD HAS A STEEP SLOPE CAUSING THE RETRACTABLE SCREEN BOTTOM GUIDE TO BE ON AN ANGLE WHEN MOUNTED.</b></p>	<p>The Bottom guide should always be as level as possible. Use wedge shims to adjust and for support until the Bottom Rail is level.</p>
<p><b>SCREEN IS TORN OR DAMAGED.</b></p>	<p>Replace the mesh using a screen refill kit.</p>
<p><b>THE MAGNETICS OF THE SCREEN DO NOT FULLY SEAL OR, THE SCREEN DOES NOT CLOSE EVENLY.</b></p>	<p>Clean the magnets using a mild soap and water.</p> <p>Clean any debris from inside the bottom guide. When not properly maintained, debris can accumulate and interfere with the operation of the screen as well as the screens closing and seal capabilities.</p>

View Our On-Line  
EASY INSTALL DOOR Video at  
[www.geniusscreens.com](http://www.geniusscreens.com)

Installation Questions?  
Missing Parts?      Replacement Parts?

DONT GO BACK TO THE STORE!

Please Call Our Homeowner Helpline

1-866-523-9511

Monday–Friday 8:00 AM to 5:00 PM (CENTRAL)