

IT IS HIGHLY RECOMMENDED THAT THE INSTRUCTIONS BE READ THROUGH BEFORE INSTALLATION.



CASCADE

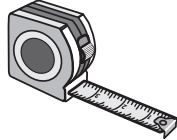
VERTICAL PULL-DOWN RETRACTABLE WINDOW SCREEN INSTALLATION INSTRUCTIONS

INSTALLATION TOOLS

PHILLIPS SCREWDRIVER



MEASURING TAPE



HAND-HELD OR
POWER SAW



POWER DRILL & BITS

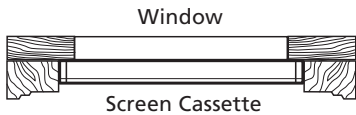
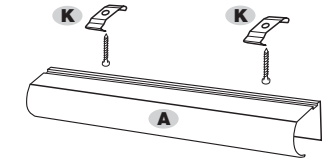


SOFT Mallet

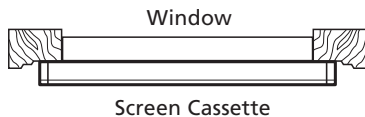
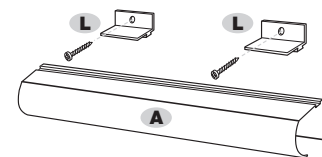


INSTALLATION PREP

1-A Recess Installation



1-B Surface Installation



1 MOUNTING OPTIONS

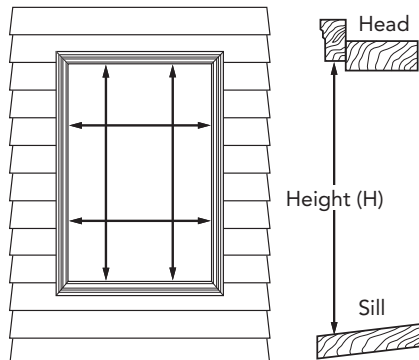
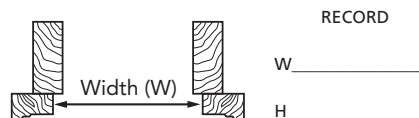
1-A Recess Installation : Mount the A-Screen Cassette using K-Recess Mounting Clips inside the window frame. Recess Installations are the most common.

1-B Surface Installation : Surface / Flush Mount the A-Screen Cassette using L-Surface Mount Clips.

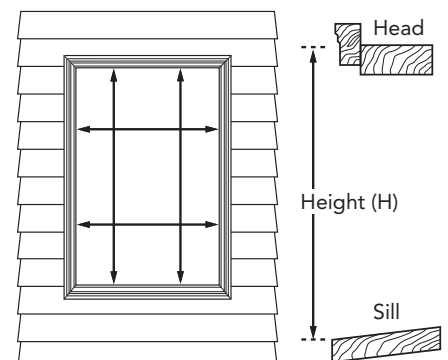
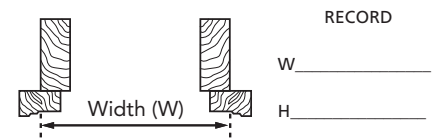
2 MEASURING

Measure the opening width and height in several places and record the smallest width and height measurement [2-A or 2-B].

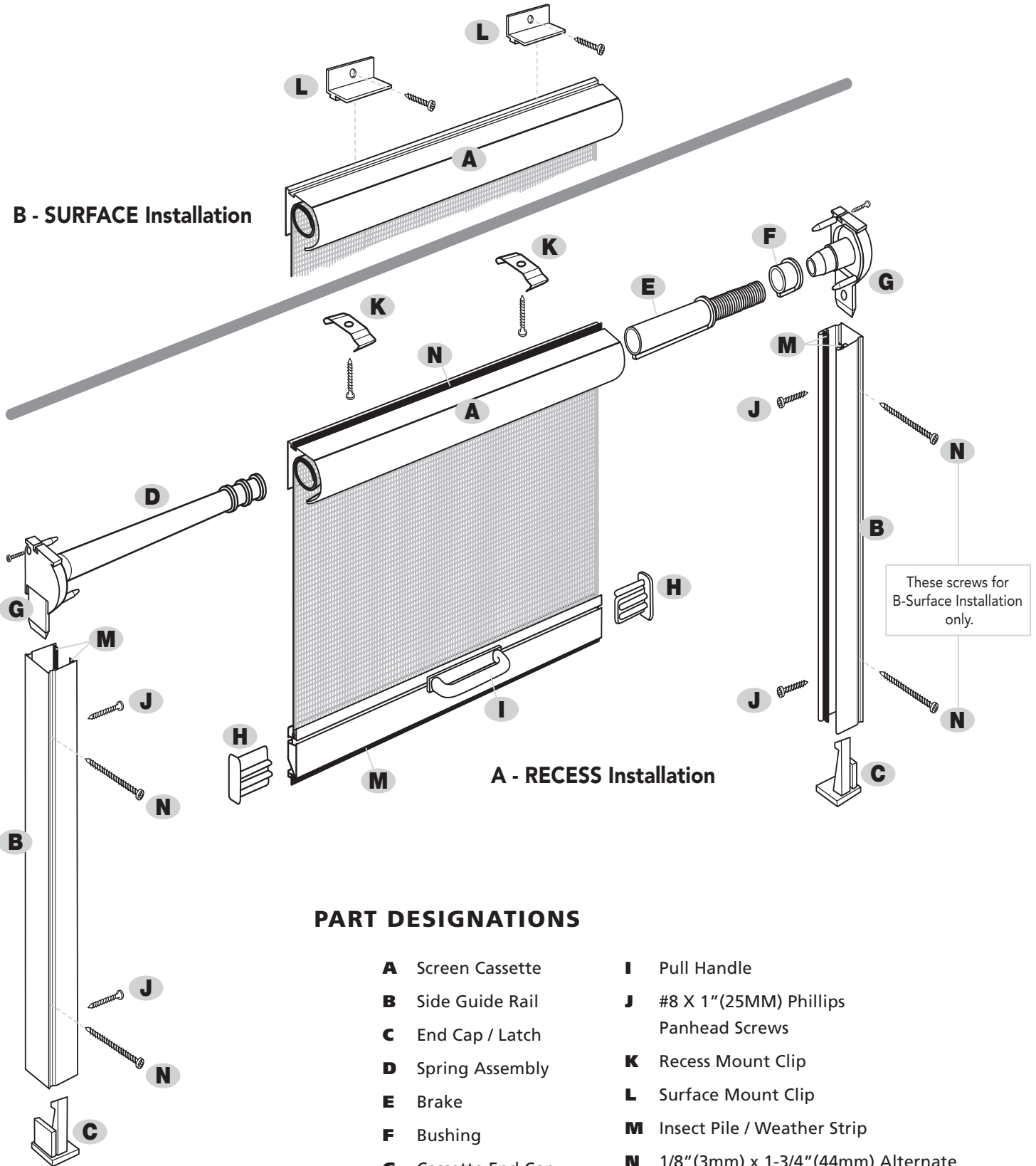
2-A Recess Installation



2-B Surface Installation



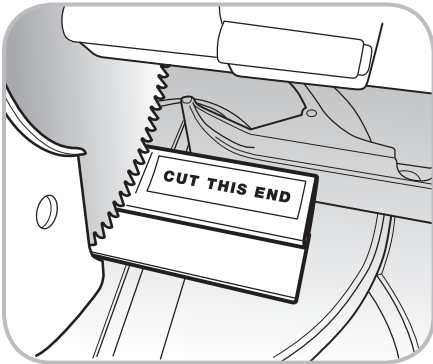
B - SURFACE Installation



A - RECESS Installation

PART DESIGNATIONS

- | | | | |
|----------|------------------|----------|--|
| A | Screen Cassette | I | Pull Handle |
| B | Side Guide Rail | J | #8 X 1" (25MM) Phillips Panhead Screws |
| C | End Cap / Latch | K | Recess Mount Clip |
| D | Spring Assembly | L | Surface Mount Clip |
| E | Brake | M | Insect Pile / Weather Strip |
| F | Bushing | N | 1/8" (3mm) x 1-3/4" (44mm) Alternate Guide Rail Surface Mount Screws |
| G | Cassette End Cap | | |
| H | Pull Bar End Cap | | |



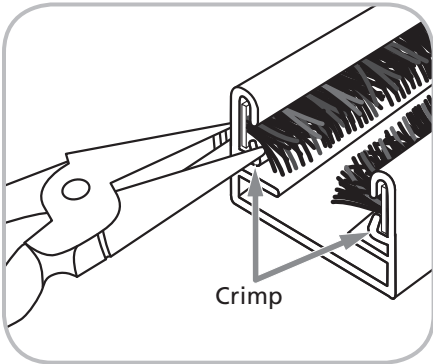
3 CUTTING THE CASSETTE

Notice that the **A-Screen Cassette** has two removable stickers labeled "Begin Measuring From This End" (Side A), and another labeled "Cut This End" (Side B). Starting from Side "A", mark your required dimension, then subtract 3/8" (9.5mm) from Step 2 width measurements.

$$\text{_____ (W)} - 3/8" = \text{_____}$$

The 3/8" (9.5mm) deduction is an allowance for the **G-Cassette End Cap with E-Brake** that you will install in **STEP 5**.

Firmly hold the **A-Screen Cassette & Pull Bar** and cut to size (including the screen). Hold upright and tap away the metal shavings.



4 CUTTING THE SIDE GUIDE RAILS

Notice that the **B-Side Guide Rails** already have a black colored **C-End Cap/Latch** installed at one end of the rail. **DO NOT CUT THIS END**; cut the opposite end. Mark your required net height dimension, then subtract 2-1/8" (54mm) from Step 2 width measurements. Cut the **B-Side Guide Rails** to size. Hold upright and tap away the metal shavings.

Be sure to cut the end that does not have the **G-Cassette End Cap** already installed.

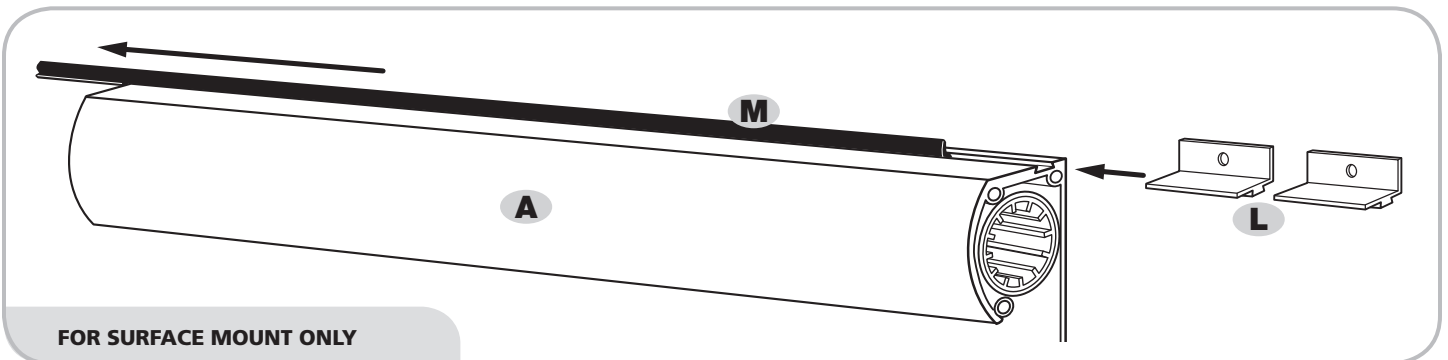
$$\text{_____ (H)} - 2-1/8" = \text{_____}$$

After cutting the **B-Side Guide Rails**, use pliers to crimp the **M-Insect Pile/Weather Strip** in place [see picture at left] so that it does not move in the holding channels.

5 INSECT PILE / WEATHER STRIP

Recess Mount Applications : The **M-Insect Pile/Weather Strip** is already installed in the channel located on the rear of the Cassette.

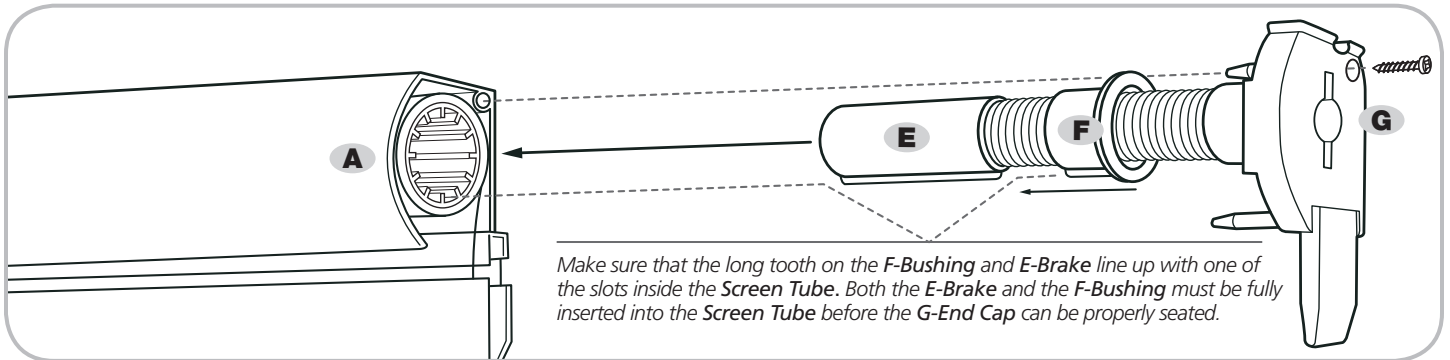
Surface Mount Applications : Remove the **M-Insect Pile/Weatherstrip** from the channel at the top back of the **A-Screen Cassette**. Then slide the runners on the bottom of two (2) **L-Surface Mount Clips** into the same channel, **BEFORE** installing **G-End Caps**. Note: the position of the **L-Surface Mount Clips** can be adjusted at any time once installed in the channel.



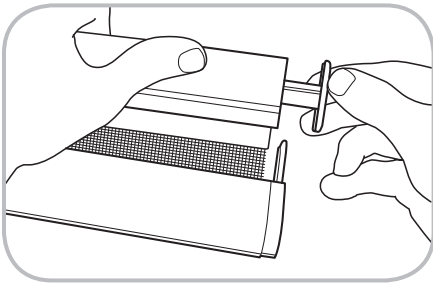
FOR SURFACE MOUNT ONLY

6 END CAP ASSEMBLY CONT.

The E-Brake, F-Bushing and G-Cassette End Cap come pre-assembled.



Slip the F-Bushing down the coiled spring to the E-Brake. On the open end of the A-Screen Cassette, insert the E-Brake with F-Bushing into the center of the Screen Tube, aligning the long tooth on both as noted above. Next, match up the large pin on the top of the G-End Cap to the corresponding hole at the top of the A-Screen Cassette Housing. Tap evenly with a soft mallet until the assembly fits snugly.

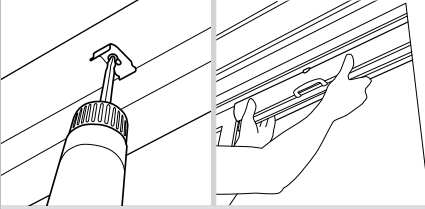


7 PULL BAR END CAP

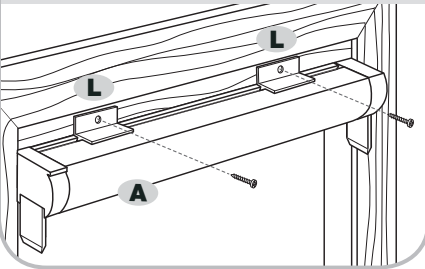
Insert the H-Pull Bar End Cap into the end of the Pull Bar and tap in place using a soft mallet.

INSTALLATION

8-A Recess Installation



8-B Surface Installation



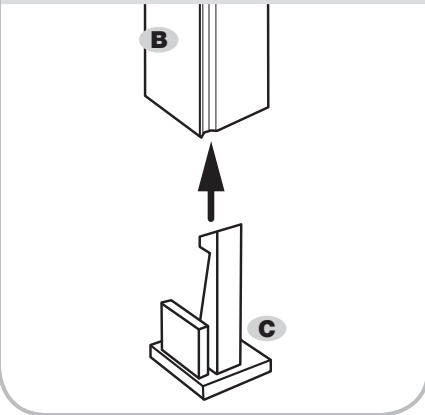
NOTE: It is critical that the Screen Cassette and Rails be installed square and plumb in the door opening. Apply shims (not supplied) as needed.

8 INSTALLING THE CASSETTE

8-A Recess Installation : Use J-#8 x 1" (25mm) Phillips Panhead Screws to install K-Recess Mount Clips to the door frame approx. 4" in from each side. Snap only the A-Screen Cassette into the Mount Clips.

8-B Surface Installation : Position the A-Screen Cassette, insert J-#8 x 1" (25mm) Phillips Panhead Screws into L-Surface Mount Clips and secure A-Screen Cassette to the frame.

9 End Cap/Latch Position



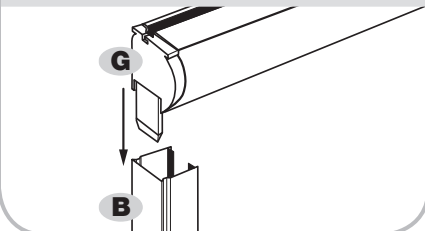
9 INSTALL THE SIDE RAILS

Before installing the two B-Side Guide Rails, rotate them so that the decorative groove on the rail and the C-End Cap / Latches are positioned as shown in [9]. The C-End Cap / Latch must be positioned in this manner in order for the 'hook' of the latch to correctly engage the A-Screen Cassette Pull Bar when the screen is extended.

9-A Recess Installation : Insert both B-Side Guide Rails onto the protruding tabs of the G-Cassette End Caps [9-A.1].

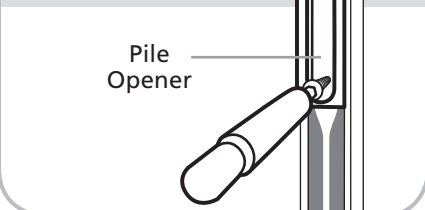
Align the B-Side Guide Rails into the final position. Drill 3/16" (5mm) pilot holes at 3" (76mm) in from either end and in the center in between. Attach the B-Side Guide Rail to the door frame using J-#8 x 1" (25mm) Phillips Panhead Screws. When installing the B-Side Guide Rail, use the Black Plastic Pile Opener Tool that is provided with the screen kit to move the M-Insect Pile/Weather Strip out of the way while screwing the rails to the frame [9-A.2].

9-A.1 Side Rail to Cassette End Cap

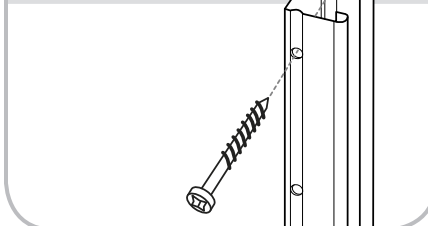


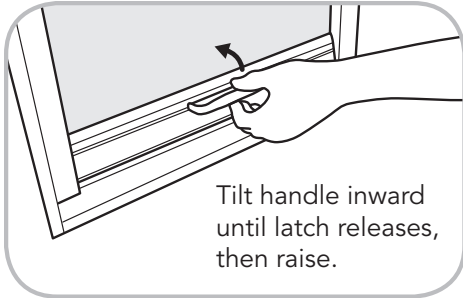
9-B Surface Installation : Using the decorative trim groove as a guide (and staying to the outside of the glide platforms inside the rail), drill three evenly spaced 1/8" (3mm) holes through both sides of the B-Side Guide Rail. Secure the Guide Rail to the door with N-1/8" (3mm) x 1-3/4" (44mm) Alternate Guide Rail Surface Mount Screws provided in the bag labeled Surface Mount Kit. Do not over tighten screws.

9-A.2 Recess Install



9-B Surface Install





OPERATION OF THE SCREEN

The internal lock mechanism will automatically catch once the rollerscreen is fully extended. To retract the screen, nudge the I-Pull Handle inwards slightly to release the lock.

WARNING: Please use eye protection when cutting and installing your screen. This is not a safety or security screen. This product will not stop a child or pet from falling, provide security or protect your belongings.

TROUBLESHOOTING GUIDE

RETRACTABLE SCREEN IS DIFFICULT TO PULL OR BOUNCES AS IT OPENS AND CLOSSES:

- ▶ Check **B-Side Guide Rails** for screws that are not flush to the side housing. A lopsided screw head could interfere with screen action.
- ▶ Clean any debris from inside the **B-Side Guide Rails**.
- ▶ Make sure **A-Screen Cassette** has a 90° cut. If not, trim to a straight cut.
- ▶ A bouncing effect may indicate that the **F-Bushing** is not properly inserted inside the Screen Tube.
- ▶ Check if **A-Pull Bar** is rubbing against the **B-Side Guide Rails**. Trim down accordingly.
- ▶ Check to see that the **H-Pull Bar End Cap** is gliding freely.

THE RETRACTABLE SCREEN BINDS OR WILL NOT RETRACT INTO THE CASSETTE HOUSING PROPERLY:

- ▶ See above steps.
- ▶ Make sure screen fabric is cut clean. A jagged cut will interfere with screen action.
- ▶ Check to see if the housing or inner tube have been twisted, bent or otherwise damaged during shipping.

SCREEN HAS BECOME TORN OR DAMAGED:

- ▶ Replace the mesh using a Screen Refill Replacement Kit.