

IT IS HIGHLY RECOMMENDED THAT THE INSTRUCTIONS BE READ THROUGH BEFORE INSTALLATION.

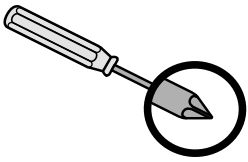


SIERRA 800 SCREENED PORCH • GAZEBOS • GARAGE OPENINGS

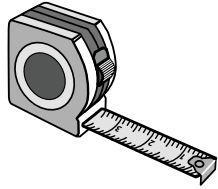
INSTALLATION INSTRUCTIONS

INSTALLATION TOOLS

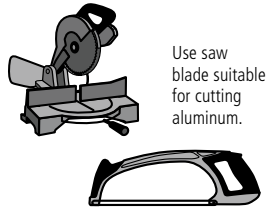
PHILLIPS SCREWDRIVER



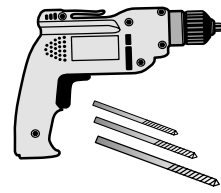
MEASURING TAPE



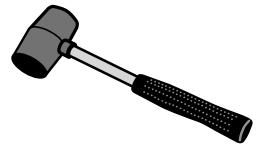
HAND-HELD OR POWER SAW



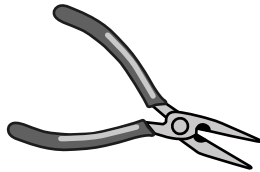
POWER DRILL & BITS



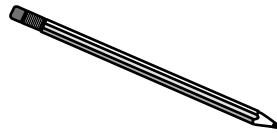
RUBBER Mallet



NEEDLE PLIERS

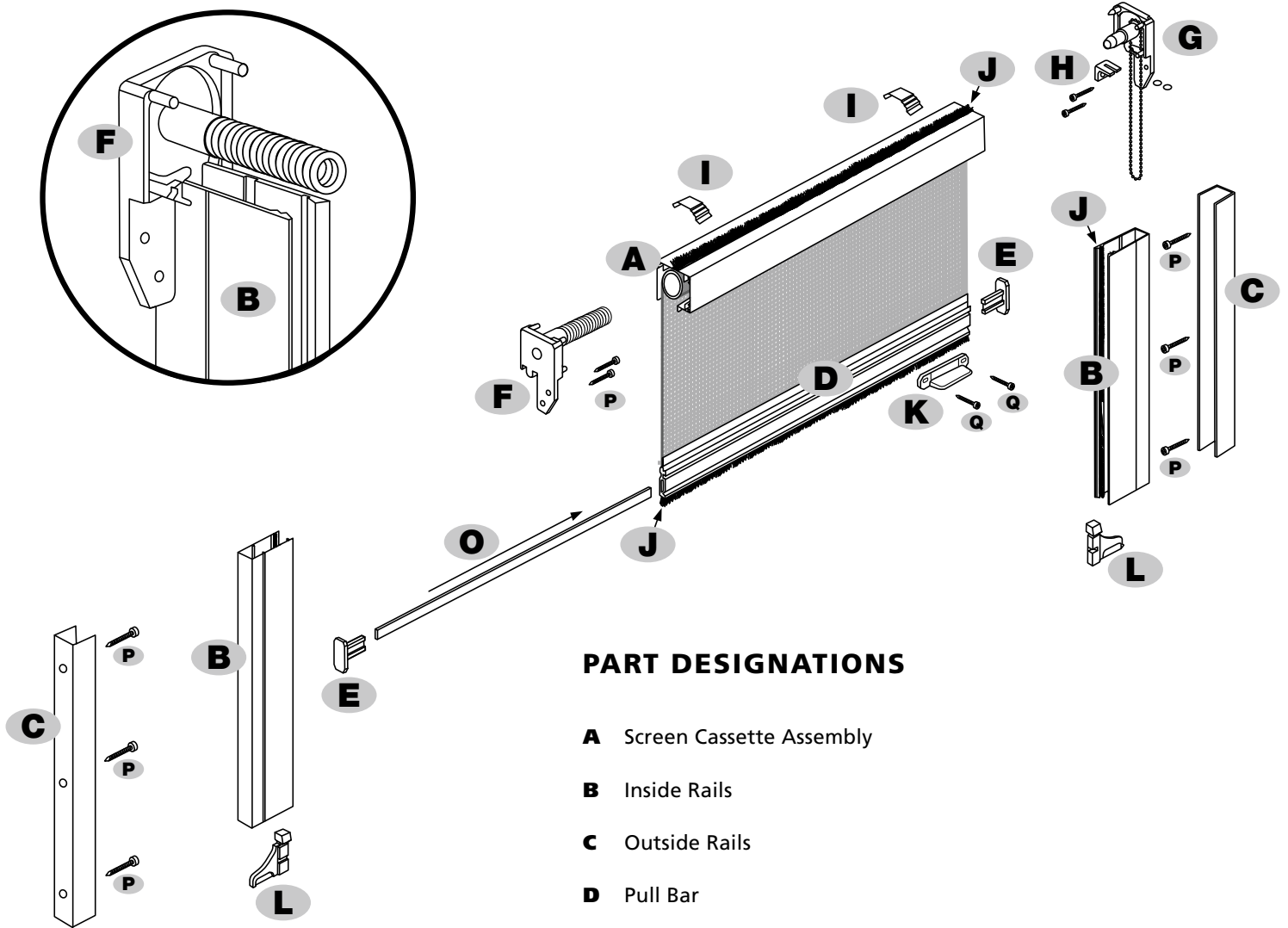


PENCIL OR PEN



The instructions are split into two sections: **RECESS INSTALLATION, PAGE 2**, and **SURFACE INSTALLATION, PAGE 6**. Determine which you need before starting.

Please contact Genius for additional custom sizes and colors.

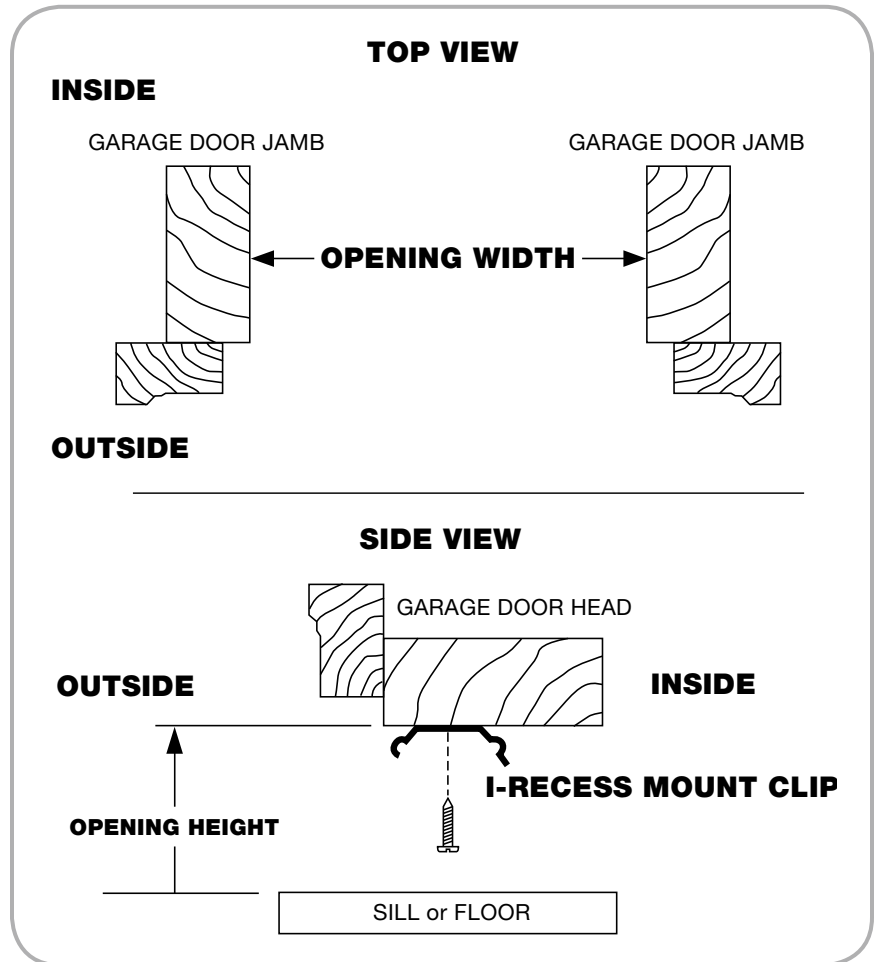


PART DESIGNATIONS

- A** Screen Cassette Assembly
- B** Inside Rails
- C** Outside Rails
- D** Pull Bar
- E** Pull Bar End Caps
- F** End Cap with Spring
- G** End Cap with Chain
- H** Chain Lock
- I** Recess Mount Clips
- J** Weather Strip
- K** Foot Release Lever
- L** Pull Bar Locks
- O** Weight Bar
- P** #8 x 1" (25mm) Panhead Screw
- Q** #6 x 3/8" (9mm) Phillips Panhead Screw

1 MEASURING AND CUTTING

Determine the maximum opening height & width for mounting your screen, as shown below. Check for interference with garage door.

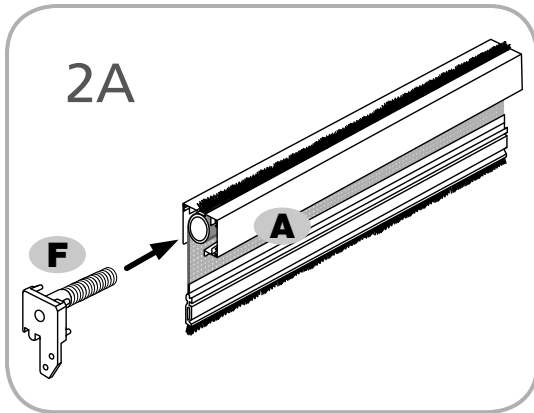


IMPORTANT
Use a square or miter box to insure straight cuts on the cassette.

Record your opening measurements on the chart below to calculate your measurements.

Width		
OPENING WIDTH	LESS 7/8" TO ALLOW FOR END CAPS	CASSETTE LENGTH
_____ "	— 7/8" —	= _____ "
Height		
OPENING WIDTH	LESS 2-1/8" TO ALLOW FOR CASSETTE END CAPS AND RECESS MOUNT CLIPS	INSIDE & OUTSIDE RAIL LENGTHS (B & C)
_____ "	— 2 1/8" —	= _____ "

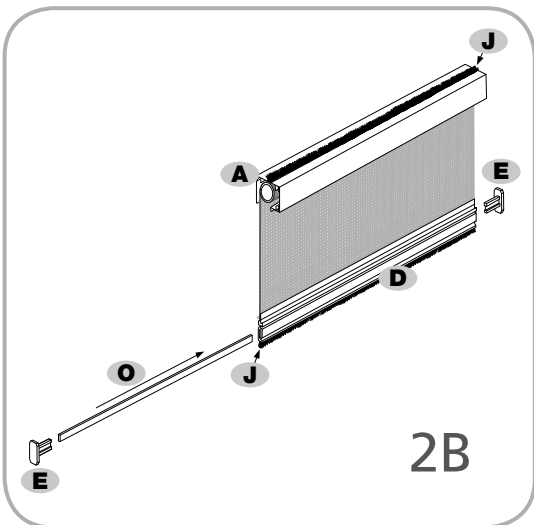
Cut all parts to length using the calculations above.
Keep the plastic film on the cassette until all cuts are completed.



2 PREPARING THE SCREEN CASSETTE

Insert **F-End Cap with Spring** into the correct end of the **A-Screen Cassette Assembly [2A]** (the assembly will only fit correctly in one end). Make sure to line up the spring and bushing notches with the slot in the center screen tube. Wind the spring clockwise the number of turns designated in the following chart and push the **F-End Cap with Spring** in place on the **A-Screen Cassette Assembly**. A rubber mallet is helpful to fully seat the **F-End Cap with Spring**. Note that the spring in the cassette is for tension only. You will need to raise and lower the screen by using the **G-End Cap Chain**.

OPENING WIDTH	SPRING TENSION
36" - 72"	25
73" - 120"	30
120" - 140"	35
140" - 192"	40



OPPOSITE END OF CARTRIDGE

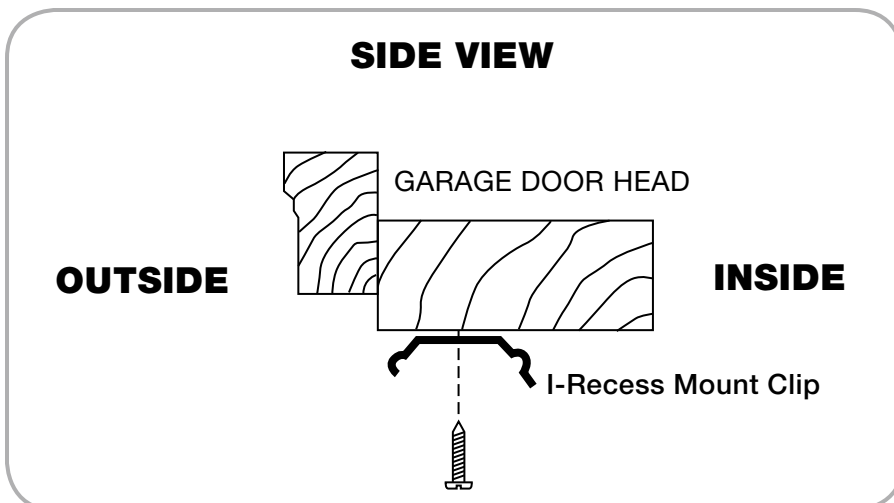
Test **Chain Guide** for smooth operation. If it's too tight, loosen allen screw. Insert the **F-End Cap with Chain** into **A-Screen Cassette Assembly** and push into place. Slide one piece of the **J-Weatherstrip** into bottom slot of **D-Pull Bar** and the other piece into the top of **A-Screen Cassette Assembly**. Insert the **O-Weight Bars** inside the hollow of the **D-Pull Bar**. Insert **E-Pull Bar End Caps** into ends of **D-Pull Bar [2B]**.

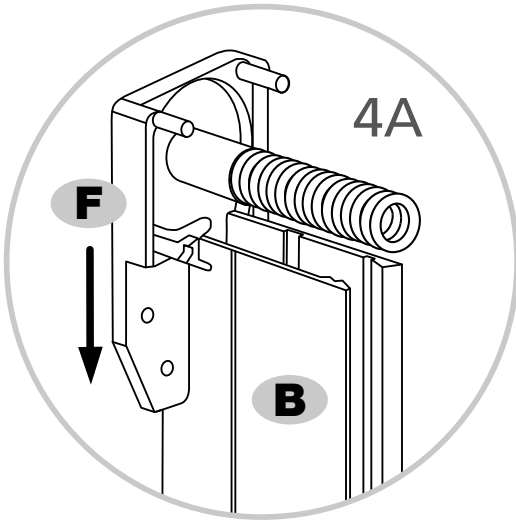
3 MOUNTING THE SCREEN CASSETTE

Mount the **I-Recess Mount Clips** to the inside of opening. When installed, the clips should be centered above the cassette. Install a **P - #8x1" (25mm) Panhead Screw** into the center of the slot to allow front to back adjustment [below].

Snap the **A-Screen Cassette Assembly** into place. Secure the **A-Screen Cassette Assembly** in place by screwing the **F-End Cap** and **G-End Cap** to the door jamb.

NOTE: the **I-Recess Mount Clips** lower the **A-Screen Cassette Assembly** in the opening by 1/4". The same 1/4" gap should be left above the **F & G-End Caps** to avoid bowing the cassette.





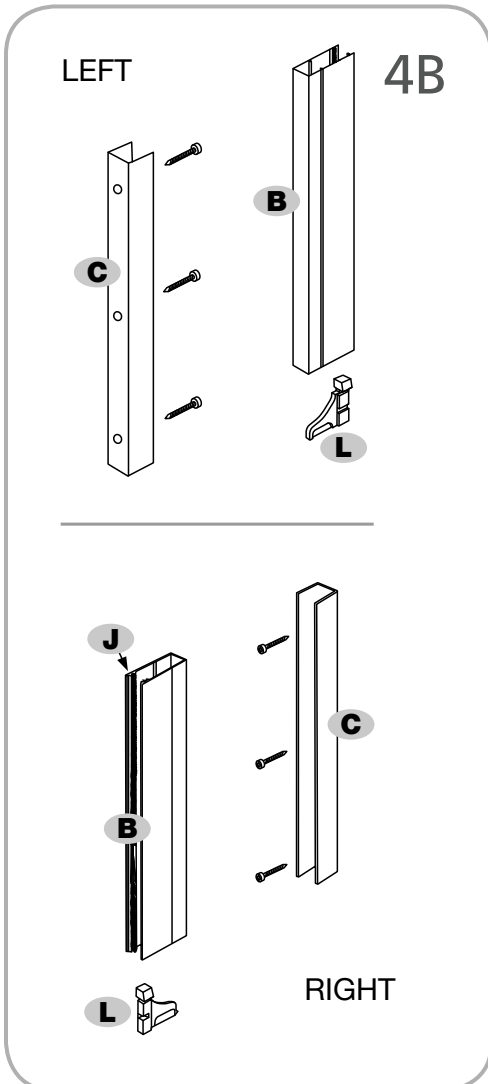
4 INSTALLING SIDE RAILS

Using pliers crimp the ends of the channels so that the brush pile does not move. Slide both C-Outside Rails onto the tabs protruding from the F and G-Cassette Caps [4A]. Attach to jamb with P - #8x1" (25mm) Panhead Screws. Press B-Inside Rails into C-Outside Rails until they are evenly seated [4B]. Optional L-Pull Bar Locks may be attached if desired to help hold D-Pull Bar closer to ground on uneven floors.

5 CHAIN LOCK

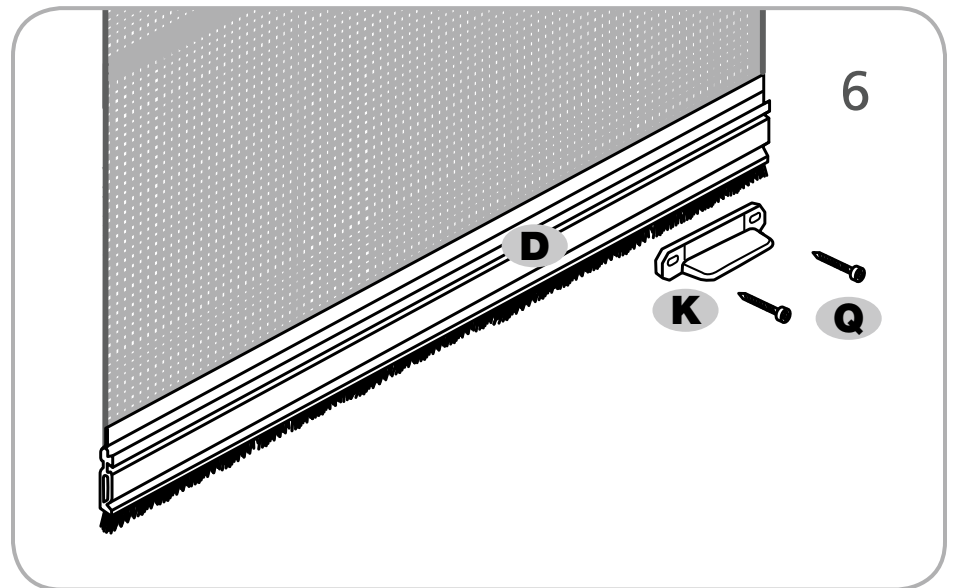
Position H-Chain Lock on the side wall jamb so that it rests approximately 42" up from the sill of the floor. Attach the side jamb using P - #8 x 1" (25mm) Phillips Panhead Screws.

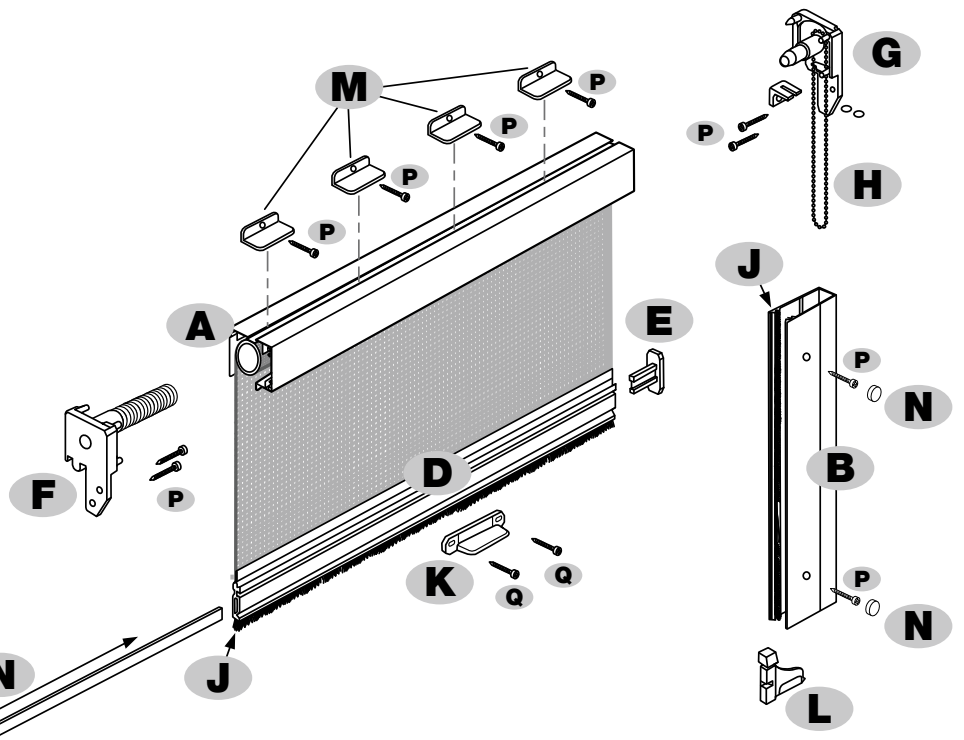
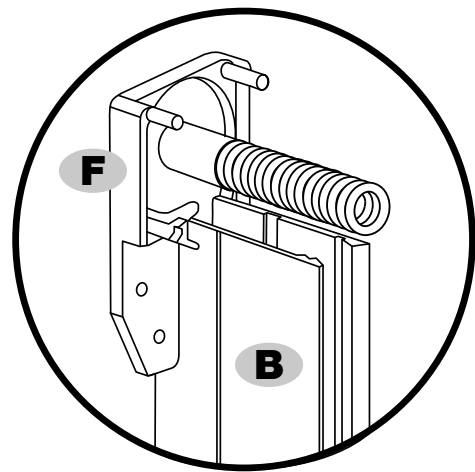
CAUTION: This chain should be kept out of the reach of children at all times.



6 FOOT RELEASE LEVER

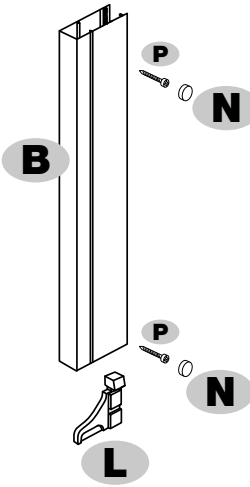
The K-Foot Release Lever is an optional feature that makes it easier to slightly rotate the D-Pull Bar in order to disengage the L-Pull Bar Locks without bending over. Before installing, position the K-Foot Release Lever 12" to 20" from the end of the D-Pull Bar on the side closest to the Pull Chain. Attach the K-Foot Release Lever to the D-Pull Bar using two Q - #6 x 3/8" (9mm) Phillips Panhead Screws.





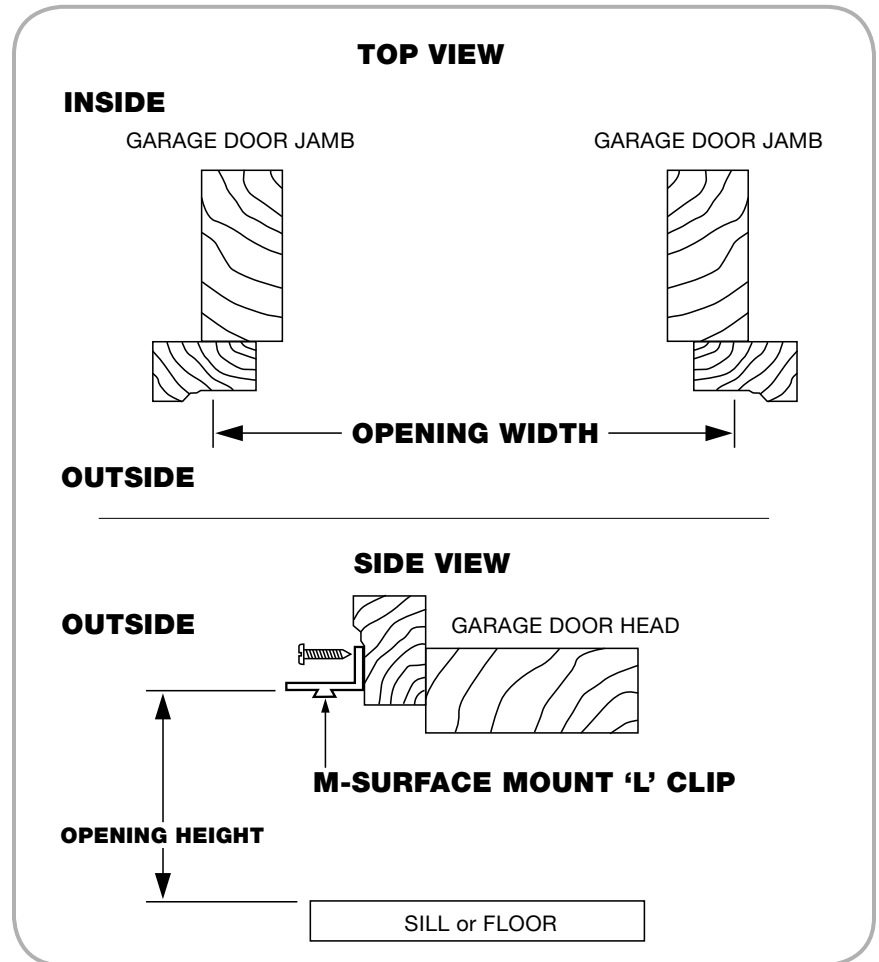
PART DESIGNATIONS

- A** Screen Cassette Assembly
- B** Inside Rails
- D** Pull Bar
- E** Pull Bar End Caps
- F** End Cap with Spring
- G** End Cap with Chain
- H** Chain Lock
- J** Weather Strip
- K** Handle
- L** Pull Bar Locks
- M** Surface Mount 'L' Clips
- N** Screw Cover Caps
- O** Weight Bar
- P** P-#8 x 1" (25mm) Panhead Screw
- Q** #6 x 3/8" (9mm) Phillips Panhead Screw



1 MEASURING AND CUTTING

Determine the maximum opening height & width for mounting your screen, as shown below. Check for interference with garage door.

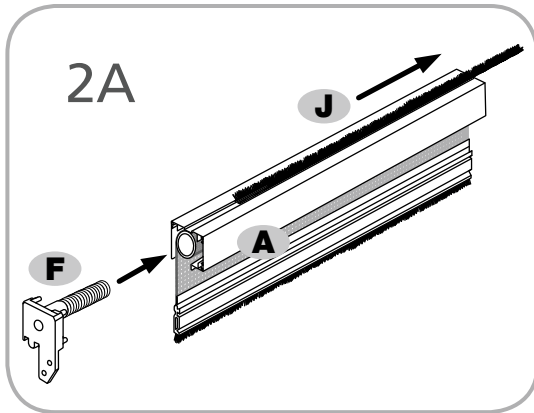


IMPORTANT
Use a square or miter box
to insure straight cuts
on the cassette.

Record your opening measurements on the chart below to calculate your measurements.

Width		
OPENING WIDTH	LESS 7/8" TO ALLOW FOR END CAPS	CASSETTE LENGTH
_____ "	- 7/8"	= _____ "
Height		
OPENING WIDTH	LESS 2-1/8" TO ALLOW FOR CASSETTE END CAPS AND RECESS MOUNT CLIPS	INSIDE & OUTSIDE RAIL LENGTHS (B & C)
_____ "	- 2 1/8"	= _____ "

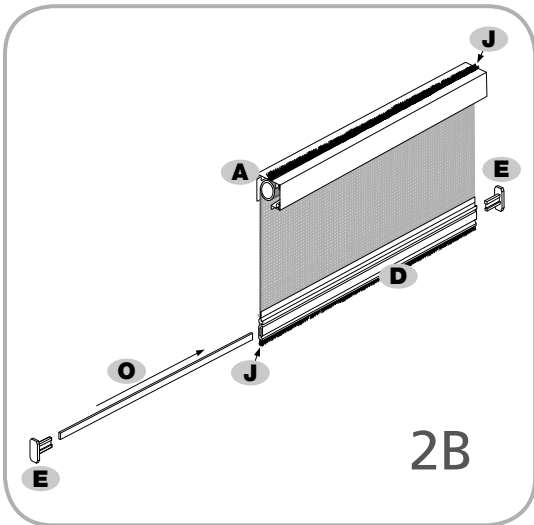
Cut all parts to length using the calculations above.
Keep the plastic film on the cassette until all cuts are completed.



2 PREPARING THE SCREEN CASSETTE

Remove the J-Weatherstrip from the A-Screen Cassette Assembly [2A]. Insert F-End Cap with Spring into the correct end of the A-Screen Cassette Assembly (the assembly will only fit correctly in one end) [2A]. Make sure to line up the spring and bushing notches with the slot in the center screen tube. Wind the spring clockwise the number of turns designated in the following chart and push the F-End Cap with Spring in place on the A-Screen Cassette Assembly. A rubber mallet is helpful to fully seat the F-End Cap with Spring. Note that the spring in the cassette is for tension only. You will need to raise and lower the screen by using the G-End Cap Chain.

OPENING WIDTH	SPRING TENSION
36" - 72"	25
73" - 120"	30
120" - 140"	35
140" - 192"	40



OPPOSITE END OF CARTRIDGE

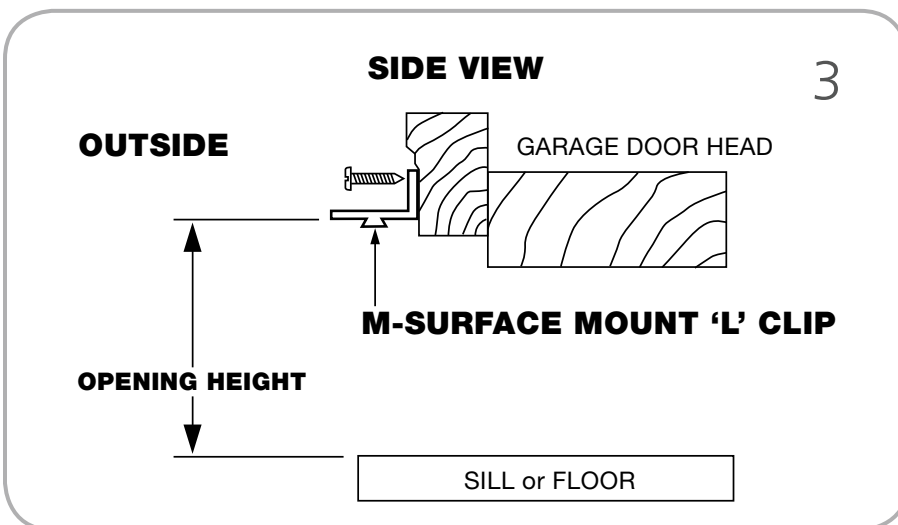
Test Chain Guide for smooth operation. If it's too tight, loosen allen screw. Insert the F-End Cap with Chain into A-Screen Cassette Assembly and push into place. Slide one piece of the J-Weatherstrip into bottom slot of D-Pull Bar and the other piece into the top of A-Screen Cassette Assembly. Insert the O-Weight Bars inside the hollow of the D-Pull Bar. Insert E-Pull Bar End Caps into ends of D-Pull Bar as shown [2B].

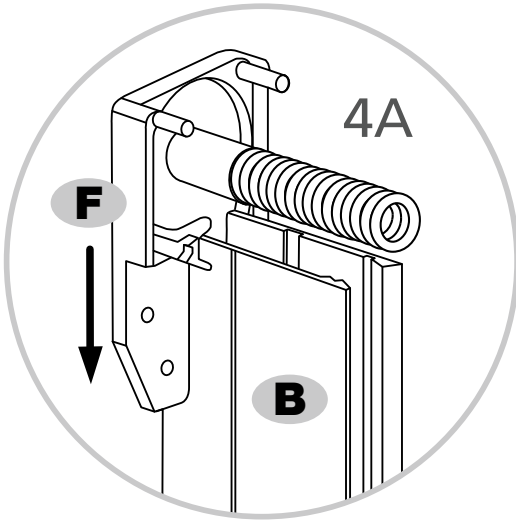
3 MOUNTING THE SCREEN CASSETTE

Slide the M-Surface Mount 'L' Clips into the top of the A-Screen Cassette.

The clips should be evenly spaced between garage door jambs. Make sure cassette is level and then screw clips in place [below].

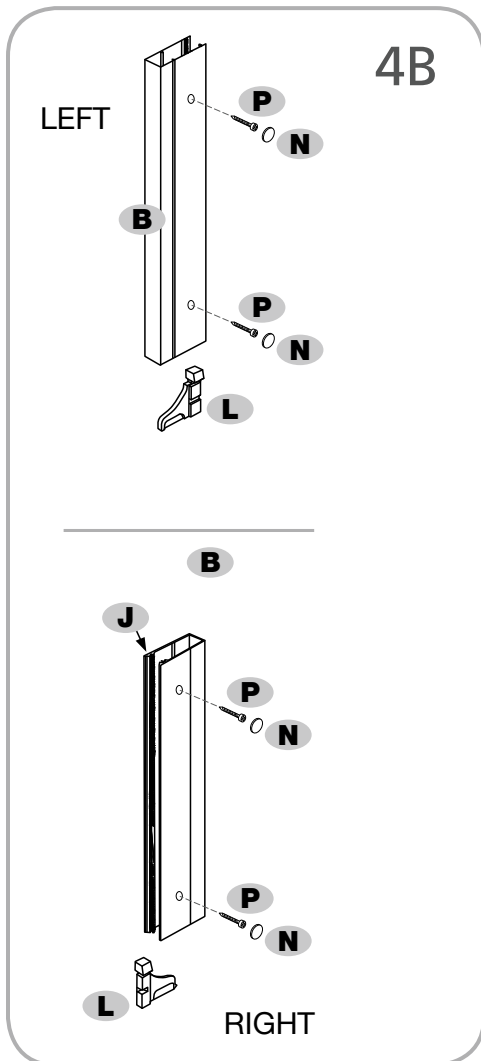
NOTE: It is recommended to put (4) four M-Surface Mount 'L' Clips in the 16' screens and (2) two M-Surface Mount 'L' Clips for 8' to 10' screens.





4 INSTALLING SIDE RAILS

Using pliers crimp the ends of the channels so that the brush pile does not move. Slide **B-Inside Rails** onto the tabs protruding from the **F and G-Cassette Caps**. Use an 1/8" drill bit and first drill through both sides of the **B-Inside Rails** where they are to be fastened. Next, using a 3/8" bit, drill through the outside face only. This will allow you to snap the **N-Screw Cap Covers** in place. Square and attach **B-Inside Rails** with **P - #8 x 1" (25mm) Phillips Panhead Screws**. **N-Screw Cap Covers**. Optional **L-Pull Bar Locks** may be attached if desired to help hold **D-Pull Bar** closer to ground on uneven floors.



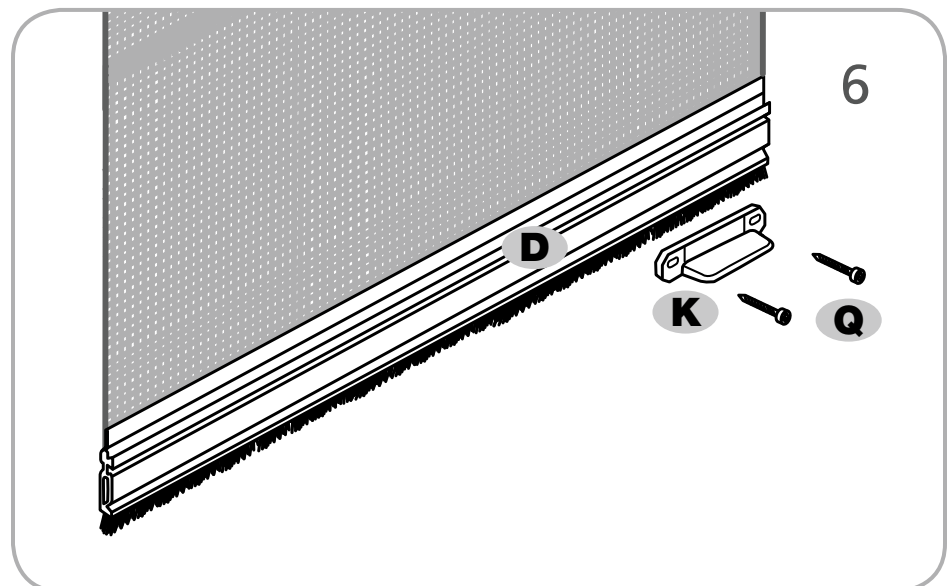
5 CHAIN LOCK

Position **H-Chain Lock** on the side wall jamb so that it rests approximately 42" up from the sill of the floor. Attach the side jamb using **P - #8 x 1" (25mm) Phillips Panhead Screws**.

CAUTION: This chain should be kept out of the reach of children at all times.

6 FOOT RELEASE LEVER

The **K-Foot Release Lever** is an optional feature that makes it easier to slightly rotate the **D-Pull Bar** in order to disengage the **L-Pull Bar Locks** without bending over. Before installing, position the **K-Foot Release Lever** 12" to 20" from the end of the **D-Pull Bar** on the side closest to the **Pull Chain**. Attach the **K-Foot Release Lever** to the **D-Pull Bar** using two **Q - #6 x 3/8" (9mm) Phillips Panhead Screws**.



TROUBLESHOOTING GUIDE**DIFFICULT TO PULL THE SCREEN**

- ▶ Make sure the A-Screen Cassette Assembly has a 90-degree angle cut. If it does not, trim so it has a straight cut.

SCREEN BINDS OR WILL NOT RETRACT INTO THE CASING PROPERLY

- ▶ See steps above. Check to see if the J-Weatherstrip is binding in the B-Inside Rails.
NOTE: Spring is an assist mechanism. You may need to push the screen completely closed.

BRUSH PILE MOVES IN THE SIDE GUIDES

- ▶ Ends of the J-Weatherstrip and aluminum track need to be crimped together to prevent movement.

SCREEN IS TORN

- ▶ Contact your Genius dealer to order a Screen Replacement Kit.

CANNOT GET CASSETTE TO SNAP INTO CLIPS

- ▶ Insert back corner of A-Screen Cassette Assembly into clip first, then rotate it from back to front.

SCREEN DOES NOT RETRACT EVENLY

- ▶ Pull the screen all the way down to bottom of opening and then retract the screen.
This will help the screen realign itself.



? Installation Questions ? Missing Parts ? Replacement Parts ?

DON'T GO BACK TO THE STORE!

CONTACT **GENIUS** @ 1.866.523.9511 TOLL FREE • GENIUSSCREENS.COM

