

Genius[®]
Retractable Screen Systems

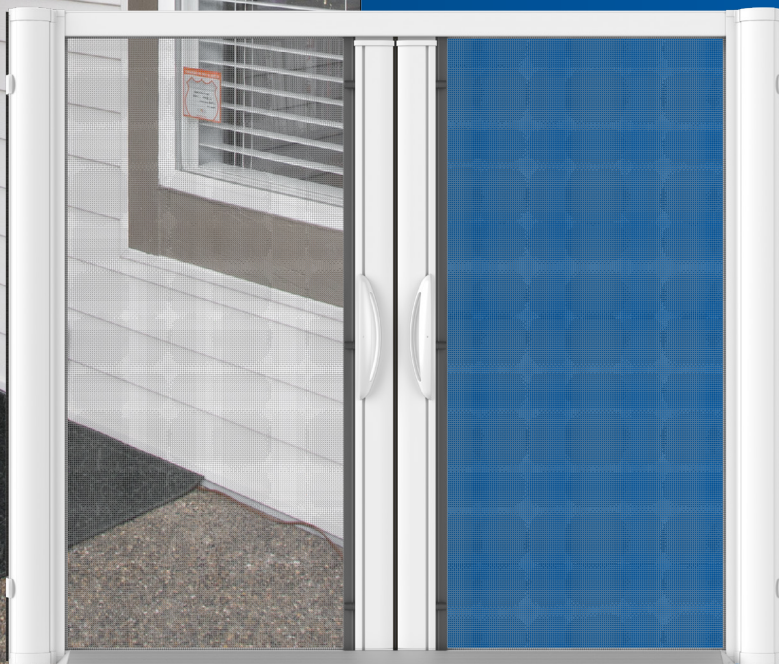
Milano

Premium Retractable Screen Door

geniusscreens.com



- Available in standard resizable kits or custom made
- Sturdy Milano pull bar
- Cast metal adjustable height handles
- Superior gliding using low friction technology
- Easy to install and operate
- Speed reducer (brake) provides safety and controlled retraction
- Hardware for both recess and surface mount applications
- Full length magnetic seal
- Available in single or double panel door screens
- Charcoal color 18x16 insect screen fabric (other optional fabrics available)



SERIES: Milano

Available in Standard Resizable Screen Kits or Custom Made Screens

STANDARD RESIZABLE SCREEN KITS: 42mm Screen Cassette

MODEL	DESCRIPTION	WIDTH	HEIGHT	LIST PRICE
MIL100	SINGLE PANEL DOOR SCREEN	48"	84"	
MIL100	SINGLE PANEL DOOR SCREEN	48"	100"	
MIL200	DOUBLE PANEL DOOR SCREEN	72"	84"	
MIL200	DOUBLE PANEL DOOR SCREEN	72"	100"	
MILSG*	SINGLE PANEL SMOOTH-GLIDE COUNTER BALANCED DOOR SCREEN	72"	86"	
MILSG*	SINGLE PANEL SMOOTH-GLIDE COUNTER BALANCED DOOR SCREEN	72"	100"	

NOTE: SMOOTH-GLIDE is a professional grade system that requires expertise to assemble & install. Please contact Genius before ordering.

* Standard resizable screen kits are equipped with 18x16 insect screen fabric. For alternate fabrics, see page 3 and use Custom Made Screen pricing.

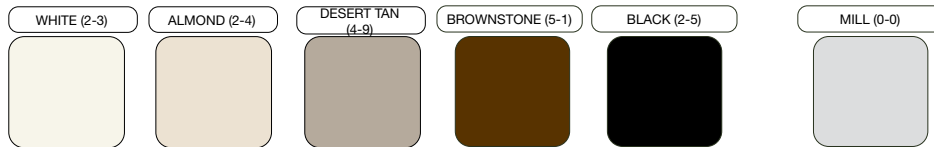
CUSTOM MADE SCREENS: 42mm Screen Cassette

MODEL	DESCRIPTION	WIDTH*	HEIGHT	LIST PRICE
MIL100	SINGLE PANEL DOOR SCREEN	12" – 60"	26" – 84"	
MIL100	SINGLE PANEL DOOR SCREEN	12" – 60"	84-1/8" – 100"	
MIL200	DOUBLE PANEL DOOR SCREEN	24" – 108"	26" – 84"	
MIL200	DOUBLE PANEL DOOR SCREEN	24" – 108"	84-1/8" – 100"	

NOTE:
CUSTOM MADE SCREENS ARE RECOMMENDED

* Alternate screen fabrics may affect the operable width of the screen. For further detail, see the screen fabric options section on page 3.

FRAME COLORS



ORDERING INSTRUCTIONS (Please Specify the Following):

- A. Quantity
- B. Product Model (MIL100, MIL200, MILSG)
- C. Frame Color
- D. Format
 - a) Standard Resizable Screen Kit or
 - b) Custom Made Screen
- E. If Custom Made indicate if the screen will be recess or surface mounted
- F. Net Screen Opening Size (Width x Height)
- G. Options (specify any other desired options or alternate screen fabrics - see page 3)

MILANO SPECIFICS USING 18x16 INSECT SCREEN

	MINIMUM WIDTH	MAXIMUM WIDTH	MINIMUM HEIGHT	MAXIMUM HEIGHT
Single Panel Doors	12"	60"	26"	100"
Single Smooth-Glide (Counter Balanced)	12"	72"		
Double Panel Doors	24"	108"		

Alternate fabrics will impact the Maximum allowable width. Please see Custom Made Screen Fabric Options for details.

PRODUCT NOTES:

The default screen fabric for Milano series is the 18x16 Insect Screen.

Smooth-Glide Screens: The Maximum allowable width = Door Height minus 13" (330.2mm)

SCREEN FABRIC OPTIONS – Apply to Custom Made Screen pricing

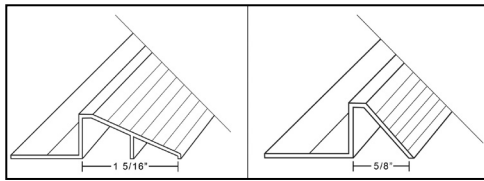
BetterVue® Low Visibility Screen Traditional Roller Style Screens: 60" Max Width Per Panel Smooth-Glide Roller Style Screens: 66" Max Width / 36mm Cassette	Color: Charcoal	Add	to List Price
17 x 20 Ultra Strength Screen 42" Max Width per Panel	Colors: Black or White	Add	to List Price
Heavy-Duty PetScreen® 44" Max Width per Panel	Color: Charcoal	Add	to List Price
TuffScreen No-See-Um Fabric with Enhanced Solar Protection 56" Max. Width Per Screen Panel	Color: Charcoal	Add	to List Price

OTHER OPTIONS

AVAILABLE THRESHOLD TRANSITIONS WHEN ORDERED WITH THE DOOR SCREEN:

(Genius recommends that you deduct 1/16" from height of the net screen opening when using a transition)

Narrow Threshold Transition with End Caps	Color: Silver or Bronze	List Price Per Lineal Inch of the Width Measurement
Medium Threshold Transition with End Caps	Color: Silver or Bronze	List Price Per Lineal Inch of the Width Measurement



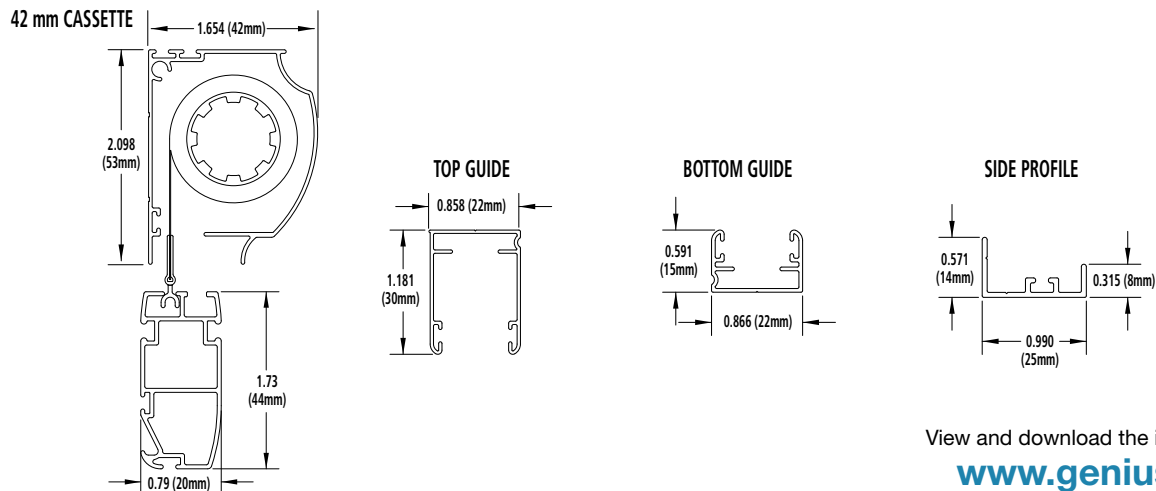
- Rubber "L" Bug Seal For Use in the Back Channel of the Screen Cassette (not installed) **List** Per Lineal Inch of the Width Measurement
- No Speed Reducer (Brake) **Deduct List No**
- Wind Pile Weather Strip In The Top Guide Rail **Additional Charge**
- Sloped Wedge Shim (12" each) for Use With Traditional 15mm x 22mm Bottom Guide **List Price** - Each
- Sloped Wedge Shim (12" each) for Use With Narrow Threshold Transition **List Price** - Each
- Sloped Wedge Shim (12" each) for Use With Medium Threshold Transition **List Price** - Each

(Genius recommends that you deduct 1/8" from height of the net screen opening when using Sloped Wedge Shims)

THRESHOLD TRANSITION KITS (2 pieces plus end caps per each kit):

TRANSITION STYLE	DESCRIPTION	PART # SILVER FINISH	PART # BRONZE FINISH	LIST PRICE
NARROW	2 Pieces 40" Long	06-01120-0-0	06-01120-1-2	
NARROW	2 Pieces 72" Long	06-12010-0-0	06-12010-1-2	
MEDIUM	2 Pieces 40" Long	06-01130-0-0	06-01130-1-2	
MEDIUM	2 Pieces 72" Long	06-12020-0-0	06-12020-1-2	

PART PROFILES



View and download the installation instructions at:
www.geniusscreens.com

SCREEN CARE & USE: Genius Retractable Screens provide insect protection and support fresh, natural ventilation in low-wind conditions. The wind speed that a retractable screen can withstand (e.g. before the edges of the screen fabric may push out of a guide rail), will depend on the width and height of the opening, the openness factor of the specific screen fabric, if the wind is steady or gusty and, other design factors of the model.

Genius Retractable Screens are not appropriate for windy locations and, the screen should not remain continually open, be persistently exposed to wind, sun, rain, or other harsh conditions, or used to retain people, pets, or keep out larger creatures. Retract the screen when not being actively used and, use the screen only during low-wind conditions. Before retracting a Genius Retractable Screen, always check that the edges of the screen fabric are riding completely inside the tracks and guide rails. If necessary, use your fingers or a soft smooth instrument to position the edges of the fabric inside the guide rails before retracting the screen.

