

IT IS HIGHLY RECOMMENDED THAT THE INSTRUCTIONS BE READ THROUGH BEFORE INSTALLATION.



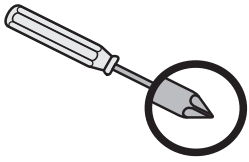
MILANO 200 DOUBLE DOOR

42 MM CASSETTE

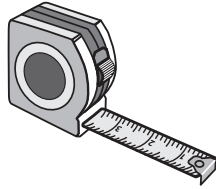
RETRACTABLE SCREEN DOOR
INSTALLATION INSTRUCTIONS

INSTALLATION TOOLS

PHILLIPS SCREWDRIVER



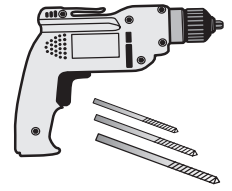
MEASURING TAPE



HAND-HELD OR POWER SAW



POWER DRILL & BITS



INTRODUCTION

This Genius retractable screen is being provided in an easy to custom size and assemble kit.

The instructions are split into three sections: **CUSTOM SIZING, PAGE 3,**
RECESS INSTALLATION, PAGE 5, and **SURFACE INSTALLATION, PAGE 10.**

Determine which you need before starting.

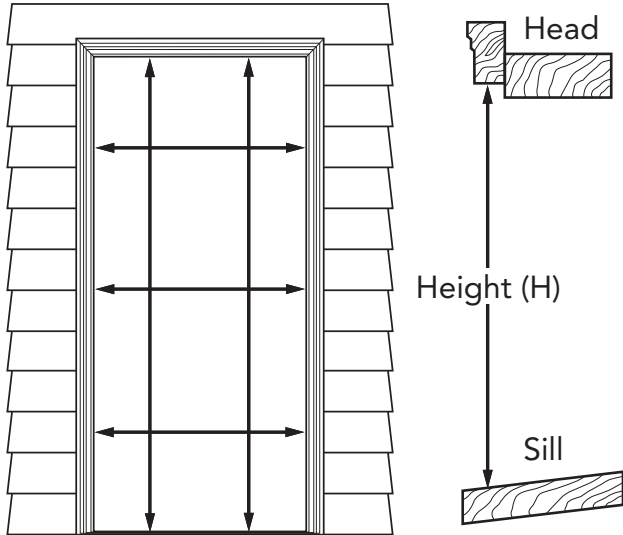
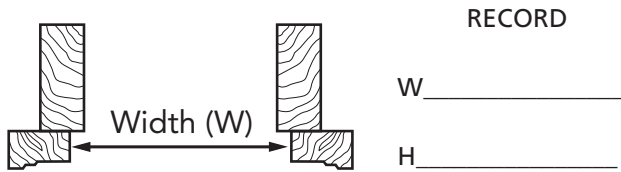
The Milano is available using different size and styled A-Screen Cassettes.

The illustrations shown in these instructions are intended for instructional use.

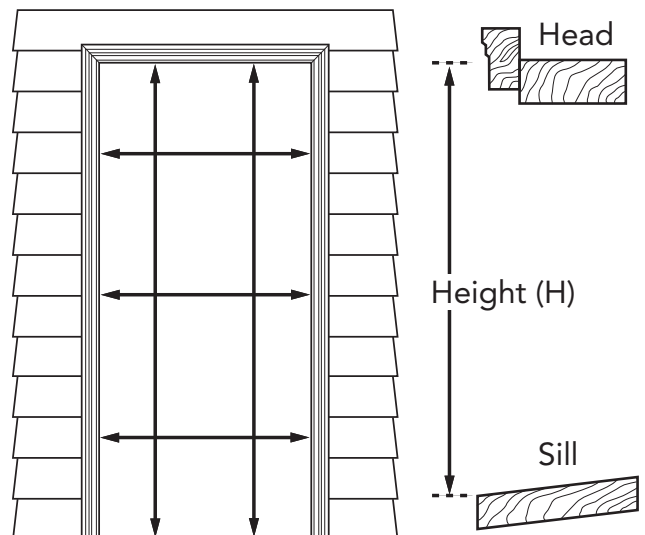
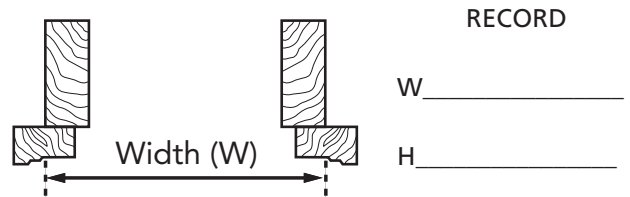
MEASURING

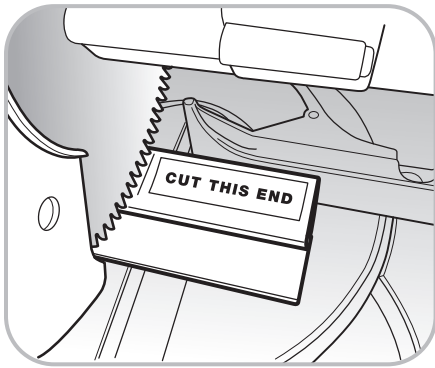
Measure the opening width and height in several places and record the smallest width and height measurement [2-A or 2-B].

1-A Recess Installation



1-B Surface Installation





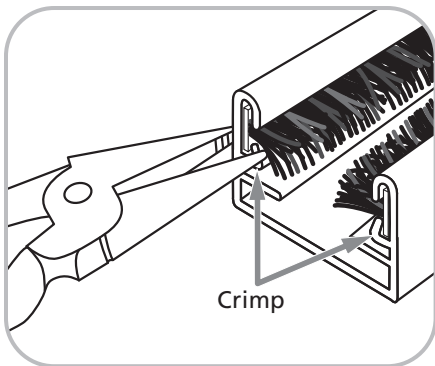
1 CUTTING THE CASSETTE

To custom size the already partially assembled **A-Screen Cassette Assembly**, take the height of the net screen opening and subtract 3/8" (9.5mm), this will become your overall cut dimension. This deduction provides an allowance for the **V-Cassette End Cap** that you will install in STEP 4. Now measuring from the outside of the one already installed **V-Cassette End Cap** mark the place where you will cut the **A-Screen Cassette Assembly**.

Firmly hold the **A-Screen Cassette Assembly** (with Pull Bar) and cut to size (including the screen fabric). Hold upright and tap away the metal shavings. Now just the Pull Bar of the **A-Screen Cassette Assembly** needs to be trimmed down a little more. Slide the Pull Bar a few inches away from the screen fabric, measure and then cut so that the aluminum Pull Bar (without plastic end caps) is a total of 2-3/16" (56mm) shorter than the height of the net screen opening.

Please note, when measuring the opening, if you plan to use either a Genius Threshold Transition and/or Genius Sloped Sill Wedge Shims, you need to measure and then deduct from the height the following dimensions to determine the final Net Screen Opening Height dimension.

- Threshold Transition: Deduct 1/16"
- Sloped Sill Wedge Shims: Deduct 1/8"
- Both Threshold Transition & Sloped Sill Wedge Shims: Deduct 3/16"



2 CUTTING THE TOP & BOTTOM GUIDE RAILS

Take the width of the net screen opening and cut the parts as follows:

B-Bottom Guide Rail: ____ (W) - 4-1/4" = ____

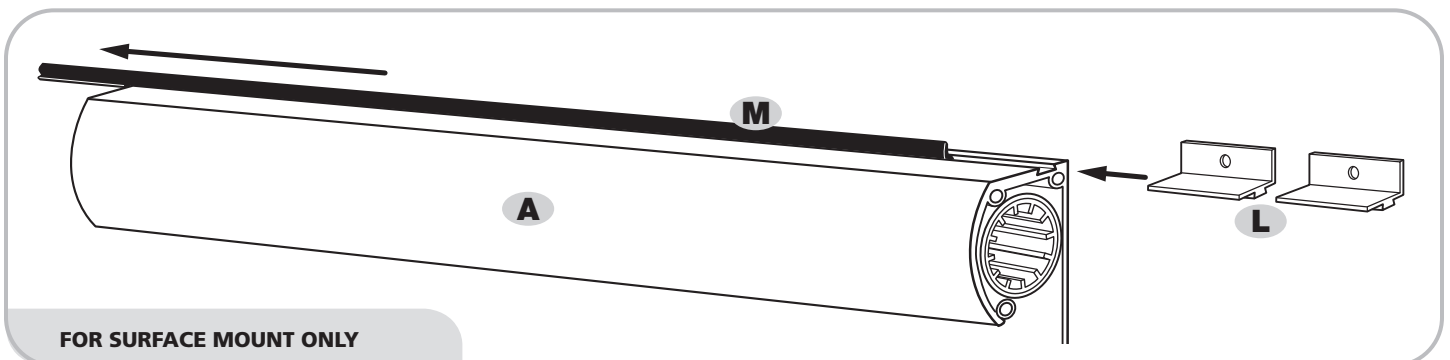
C-Top Guide Rail: ____ (W) - 4-1/4" = ____

After cutting the **B-Bottom Guide Rail** and **C-Top Guide Rail**, use pliers to crimp the **M-Insect Pile/Weather Strip** in place [see picture at left] so that it does not move in the holding channels.

3 INSECT PILE / WEATHER STRIP

Recess Mount Applications : The **M-Insect Pile/Weather Strip** is already installed in the channel located on the rear of the Cassette.

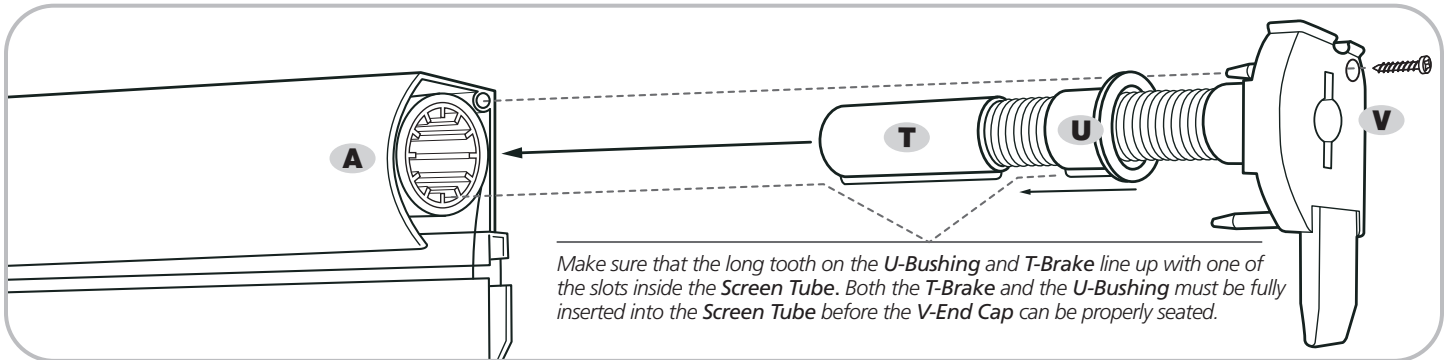
Surface Mount Applications : Remove the **M-Insect Pile/Weatherstrip** from the channel at the top back of the **A-Screen Cassette**. Then slide the runners on the bottom of two (2) **L-Surface Mount Clips** into the same channel. Note: the position of the **L-Surface Mount Clips** can be adjusted at any time once installed in the channel.



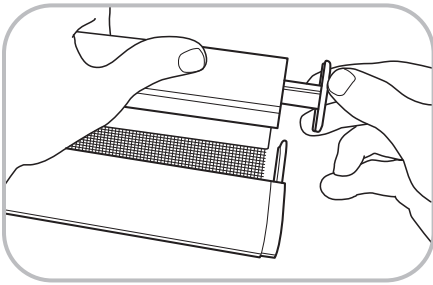
FOR SURFACE MOUNT ONLY

4 END CAP ASSEMBLY CONT.

The T-Brake, U-Bushing and V-Cassette End Cap come pre-assembled.



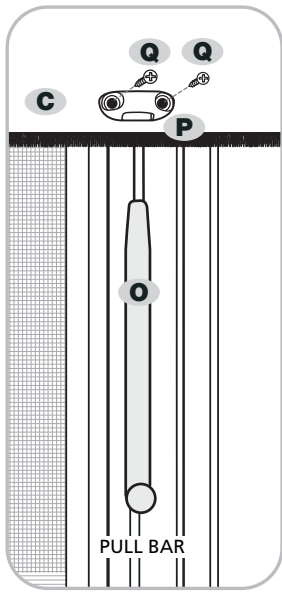
Slip the U-Bushing down the coiled spring to the T-Brake. On the open end of the A-Screen Cassette, insert the T-Brake with U-Bushing into the center of the Screen Tube, aligning the long tooth on both as noted above. Next, match up the large pin on the top of the V-End Cap to the corresponding hole at the top of the A-Screen Cassette Housing. Tap evenly with a soft mallet until the assembly fits snugly.



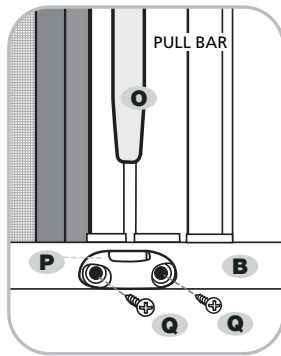
5 PULL BAR END CAPS

The A-Screen Cassette Assembly can be installed on either side of the door.

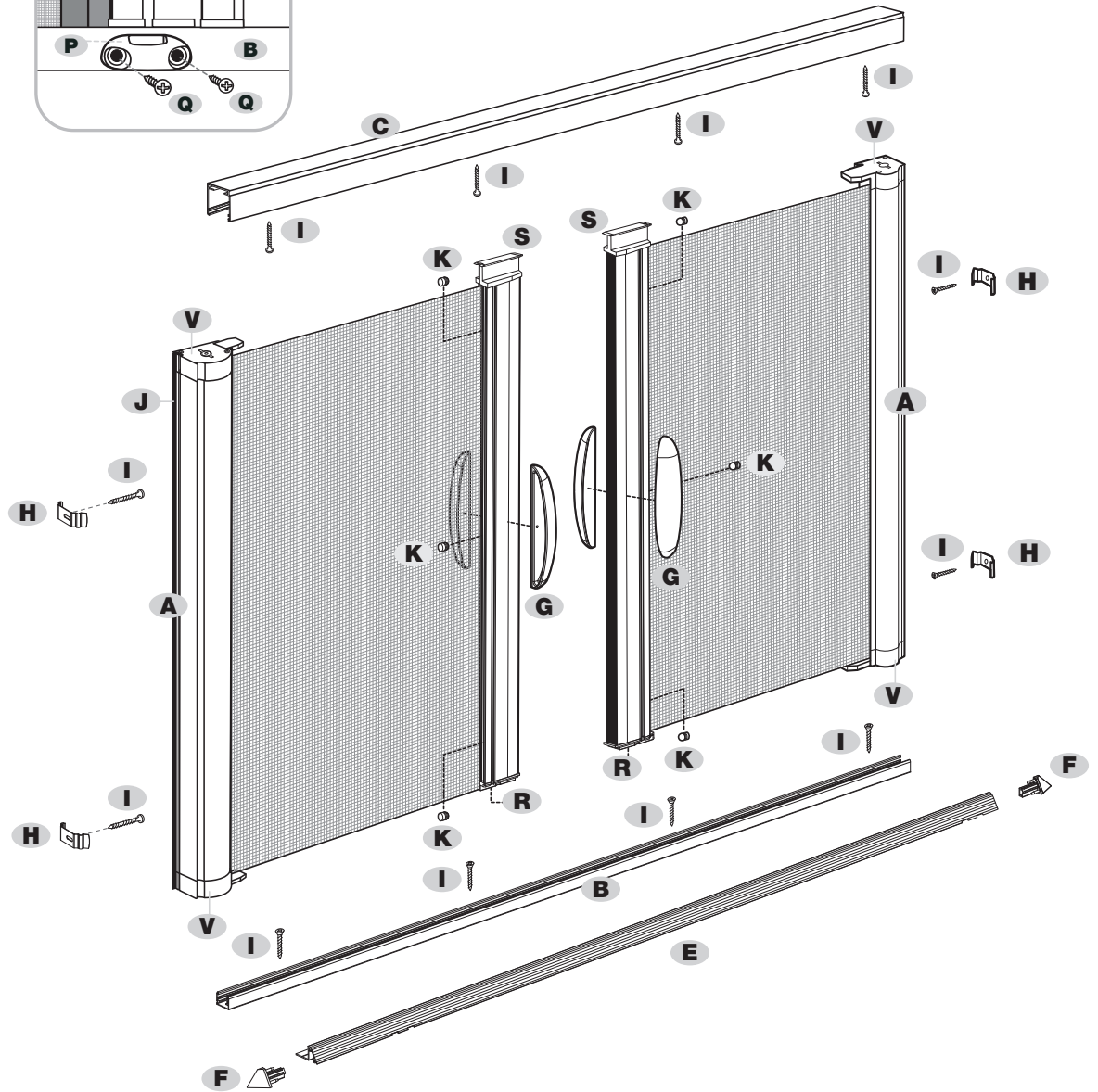
The side that you select will determine if you install the right or left handed version of the Bottom and Top Pull Bar End Caps [3.1]. **Note:** Install the shorter R-Pull Bar Bottom End Cap at the bottom and the taller S-Pull Bar Top End Cap at the top (see step 3 of Recess Installation or Surface Installation section). Each End Cap will have either the letter or "R" or "L" to indicate right or left. Insert the S-Pull Bar Top End Cap and R-Bottom Pull Bar End Cap into the ends of the Pull Bar and tap in place using a soft mallet.



Optional Top Slide Bolt



Optional Bottom Slide Bolt



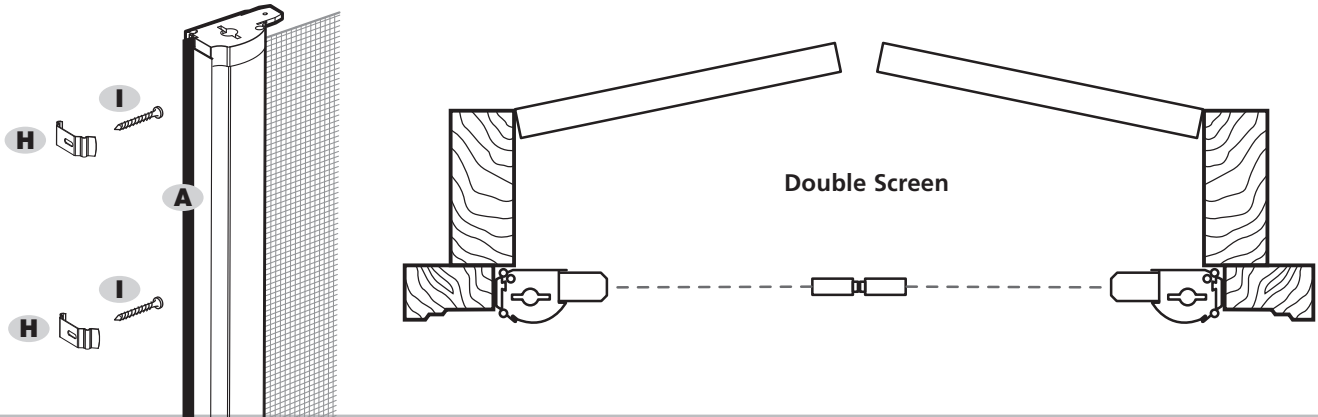
PART DESIGNATIONS

- | | | |
|---|---|--|
| A Screen Cassette Assembly | G Handle | P Slide Bolt Retainers |
| B Bottom Guide Rail | H Recess Mount Clips | Q #4 x 3/8" (9.5mm) Phillips Panhead Screws |
| C Top Guide Rail | I #8 x 3/4" (19mm) Phillips Panhead Screws | R Pull Bar Bottom End Cap |
| E Threshold Transition (optional, ordered separately) | J Pile / Weather Strip | S Pull Bar Top End Cap |
| F Threshold Transition End Caps (optional, ordered separately) | K Rubber Bumpers | V Cassette End Cap |
| | O Slide Bolts | |

1 MOUNTING

The A-Screen Cassettes will be mounted inside the door frame using H-Recess Mounting Clips and I-#8 x 3/4" (19mm) Phillips Panhead Screws.

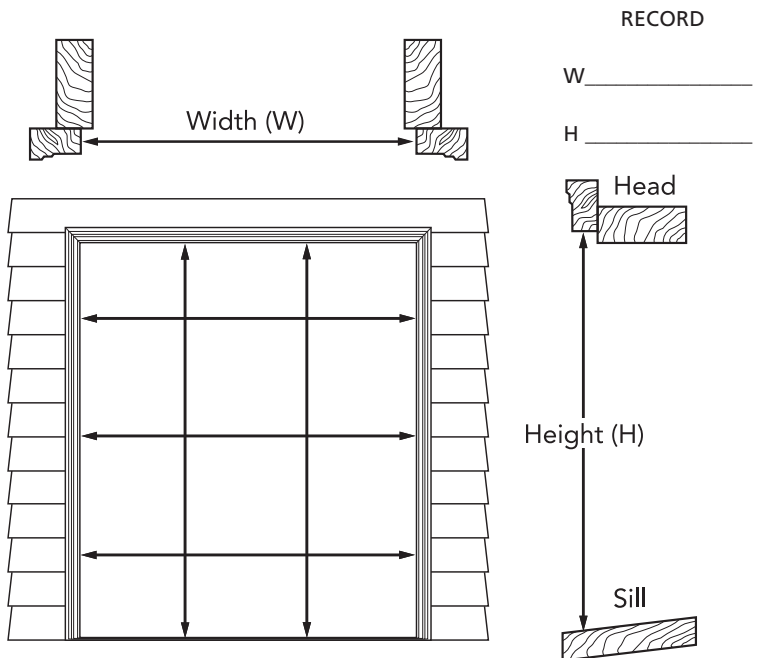
1-A Recess Installation

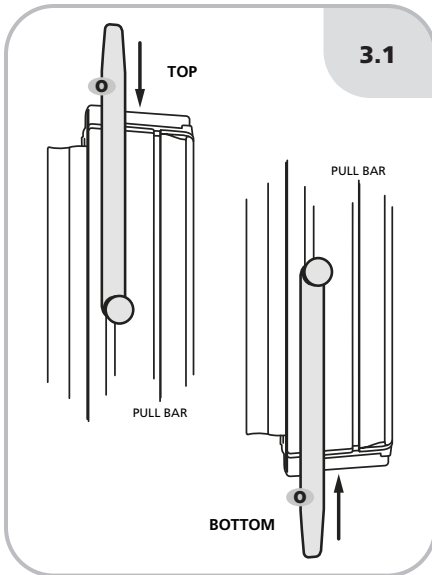


2 MEASURING

Measure the opening width and height in several places and record the smallest width and height measurement.

Recess Installation

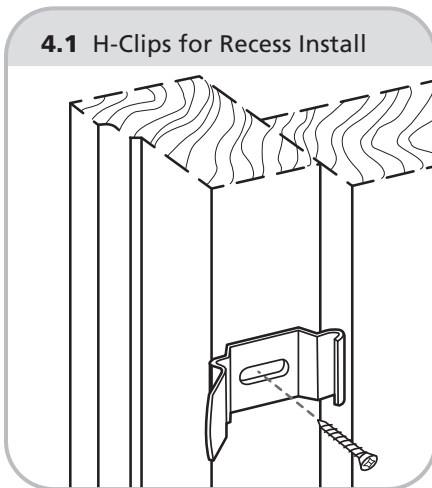




3 **OPTIONAL • INSTALLING THE SLIDE BOLT ACCESSORY LOCK**

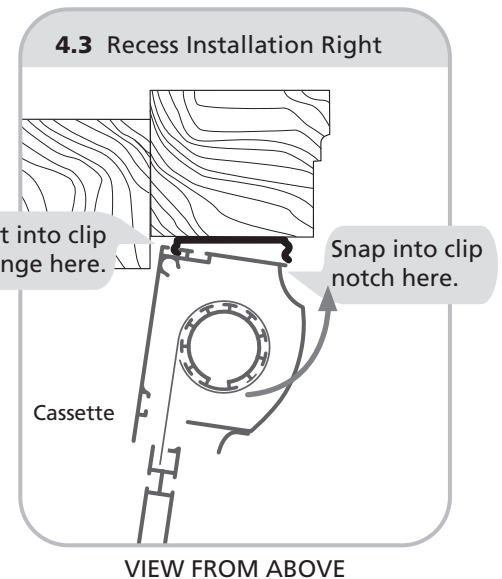
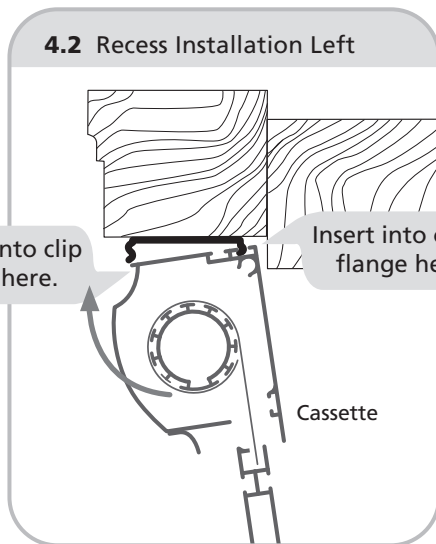
Identify which of the two screen panels will be the one most often used to enter and exit the home. You will install the Slide Bolt Accessory Lock on the interior side less used.

In the interior groove of the pull bar, **slide in an S-Slide Bolt at the bottom and then another at the top**. Make certain that the pointed end of each Slide Bolt faces out [3.1].

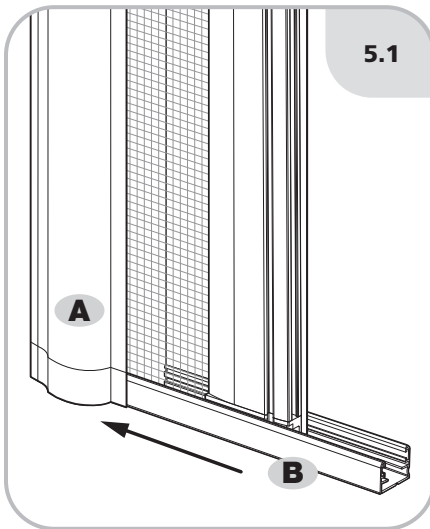


4 **INSTALLING THE CASSETTES**

Turn the A-Screen Cassette so that the taller of the plastic S-Pull Bar End Cap is at the top. Using the I-#8 x 3/4" (19mm) Phillips Panhead Screws, install the H-Recess Mounting Clips 16" from the top and bottom of both sides of the door opening [4.1]. Lock one of the A-Screen Cassettes onto the mounting clips [4.2 & 4.3]. The second A-Screen Cassette will be installed at step 6. Please note a taller screen may include one additional mounting clip to be positioned at center of cassette.



VIEW FROM ABOVE



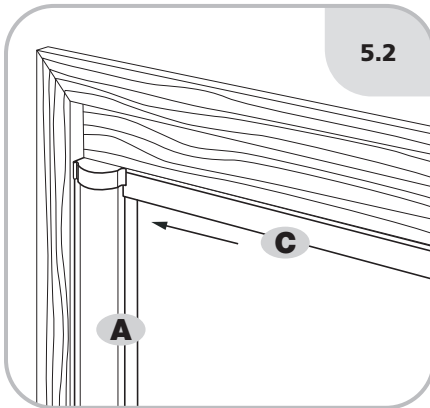
5.1

5 INSTALLING THE TOP AND BOTTOM GUIDE RAILS AND SECOND CASSETTE

Slide the **B-Bottom Guide Rail** fully onto the tab on the **A-Screen Cassette End Cap** [5.1]. Repeat for the **C-Top Guide Rail** [5.2].

Turn the second **A-Screen Cassette** so that the taller of the plastic **S-Pull Bar End Cap** is at the top. On the opposite end of the top and bottom guide rails, insert the tabs of the second Cassette. Move the Cassette and guide rails into position within the door opening then clip the second Cassette into the **Recess Mounting Clips**.

If it seems a bit too snug to get the second **A-Screen Cassette** positioned and locked to the **H-Recess Mounting Clips**, you may trim up to 1/8" off one end of both the **C-Top Guide Rail** and **B-Bottom Guide Rail** and try again.

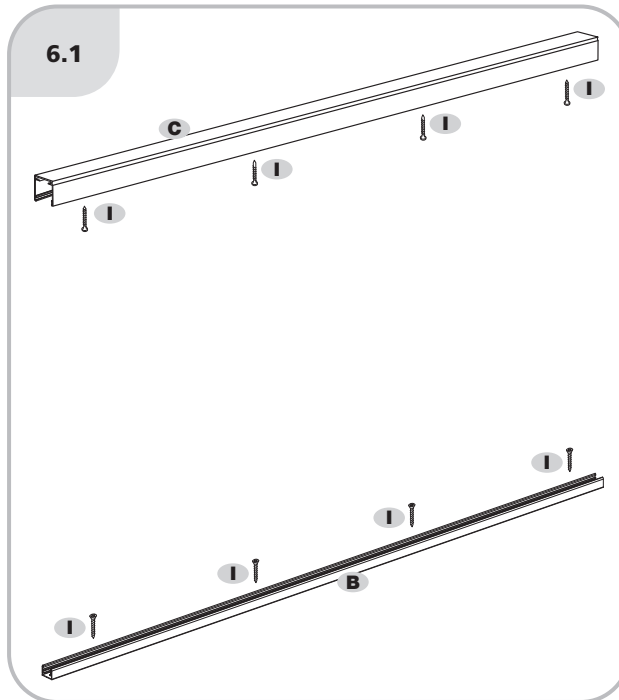


5.2

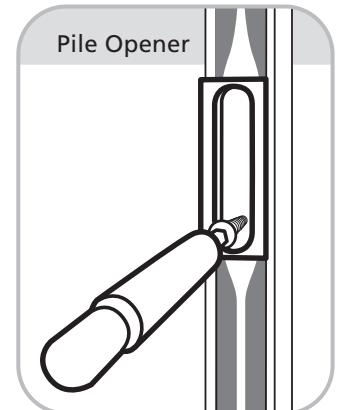
6 SECURE THE RAILS WITH SCREWS

Secure the **B-Bottom Guide Rail** and **C-Top Guide Rail** with four **I-#8 x 3/4" (19mm) Phillips Panhead Screws** each [6.1]. Position screws 6" (150mm) in from each end and equally space the remaining screws. Please note: the number of installation screws will vary depending on the opening size.

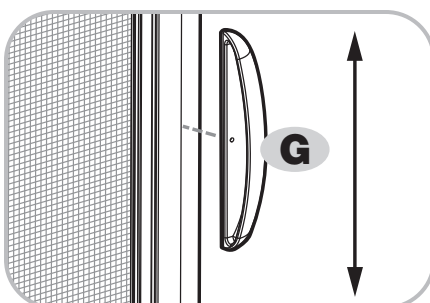
When installing the **Bottom** and **Top Guide Rail**, use the convenient **Pile Opener** included with this kit, to temporarily separate the two insect piles. This will make for easier viewing and installation of the screws.



6.1



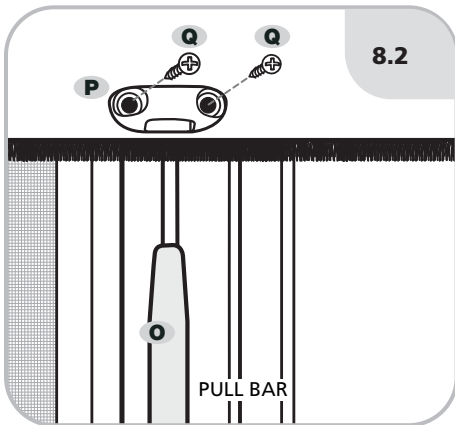
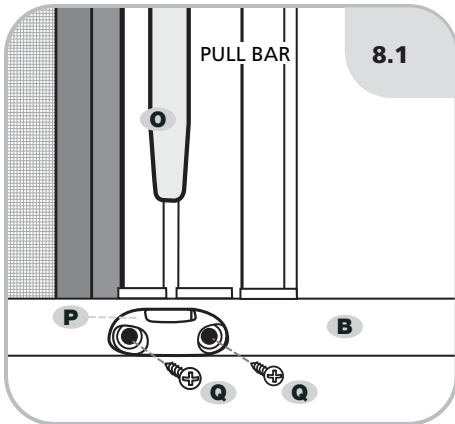
Pile Opener



G

7 ADJUSTING THE HANDLES

Adjust the **G-Handle** heights by loosening the **Allen-Head Set Screw**, move the **G-Handle** as desired and retighten screw.



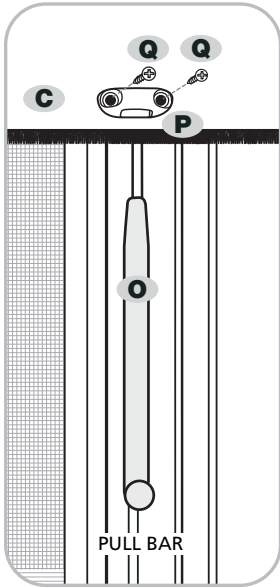
8

OPTIONAL • INSTALLING SLIDE BOLT RETAINERS (APPLICABLE ONLY IF STEP THREE WAS IMPLEMENTED)

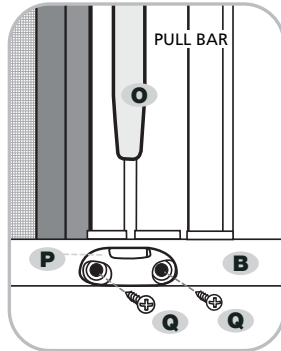
Close the screen doors. Now, on the **B-Bottom Guide Rail** and the **C-Top Guide Rail**, make pencil marks to the center of the channel in which you've installed the Slide Bolts.

Center the bottom **P-Slide Bolt Retainer** to your channel mark, with the bottom of the **Retainer** flush to the bottom of the **B-Bottom Guide Rail**. Pencil mark the position for the screws, set the **Retainer** aside, and drill 1/8" holes. Then attach the **P-Slide Bolt Retainer** using (2) **Q-#4 x 3/8" Phillips Panhead Screws** [8.1].

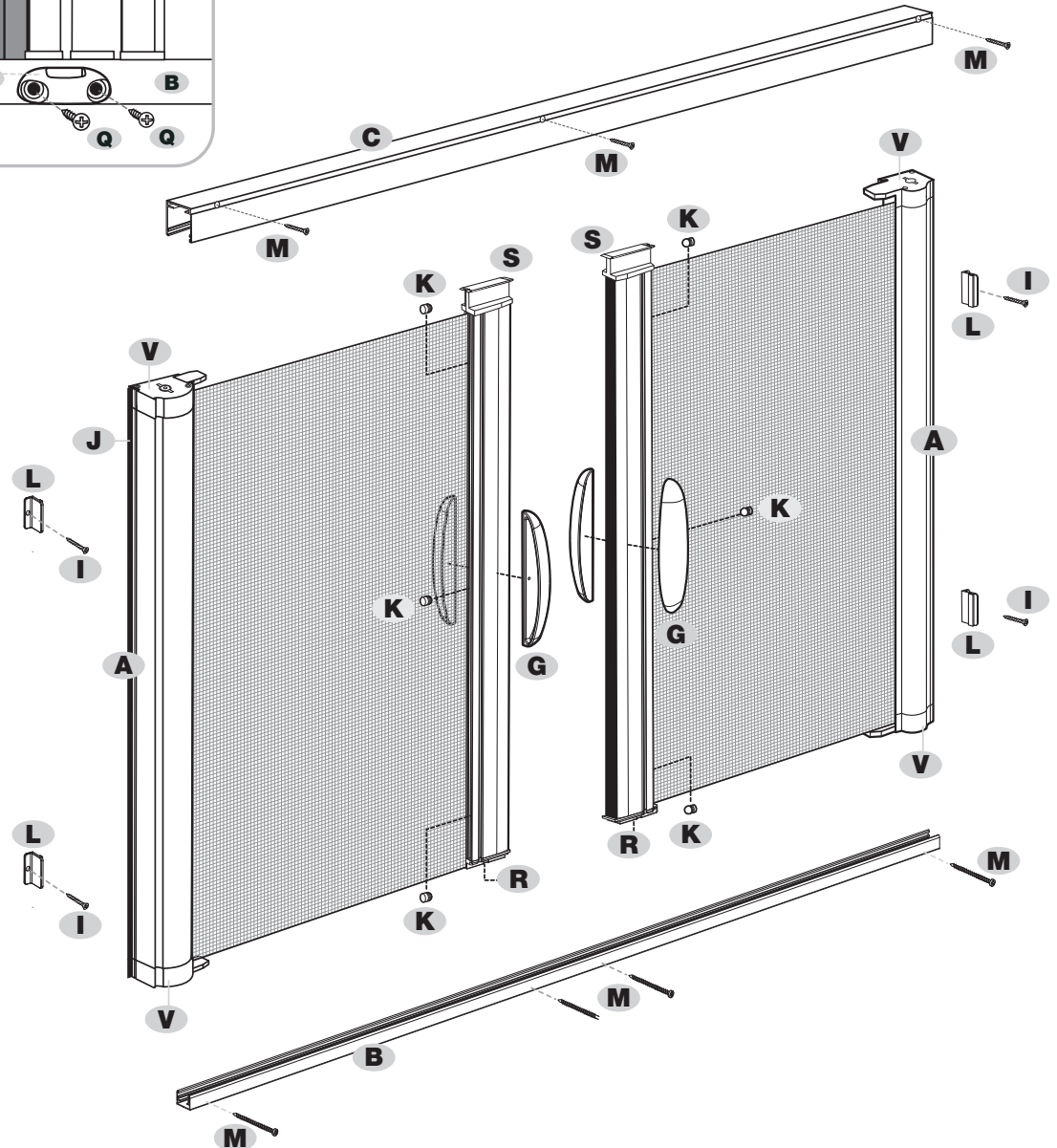
Position the top **P-Slide Bolt Retainer** so that it also centers to the channel mark, with the bottom of the **Retainer** flush with the bottom of the **C-Top Guide Rail**. Pencil mark the position for the 4 screws, set aside the **Retainer** and drill 1/8" holes. Attach the top **P-Slide Bolt Retainer** using (4) **Q-#4 x 3/8" Phillips Panhead Screws** [8.2].



Optional Top Slide Bolt



Optional Bottom Slide Bolt

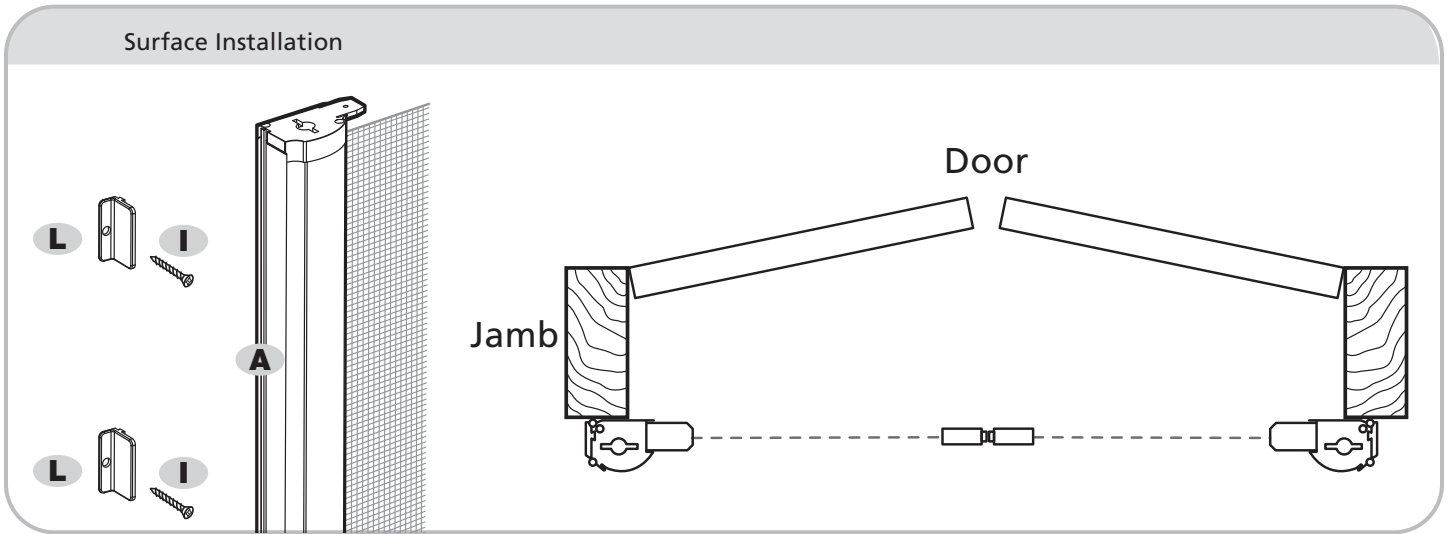


PART DESIGNATIONS

- | | | |
|---|--|---|
| <p>A Screen Cassette Assembly</p> <p>B Bottom Guide Rail</p> <p>C Top Guide Rail</p> <p>G Handle</p> <p>I #8 x 3/4" (19mm) Phillips Panhead Screws</p> | <p>J Pile / Weather Strip</p> <p>K Rubber Bumpers</p> <p>L Surface Mount Clips</p> <p>M 1/8" (3mm) x 1-3/4" (44mm) Surface Mount Screws</p> <p>O Slide Bolts</p> <p>P Slide Bolt Retainers</p> | <p>Q #4 x 3/8" (9.5mm) Phillips Panhead Screws</p> <p>R Pull Bar Bottom End Cap</p> <p>S Pull Bar Top End Cap</p> <p>V Cassette End Cap</p> |
|---|--|---|

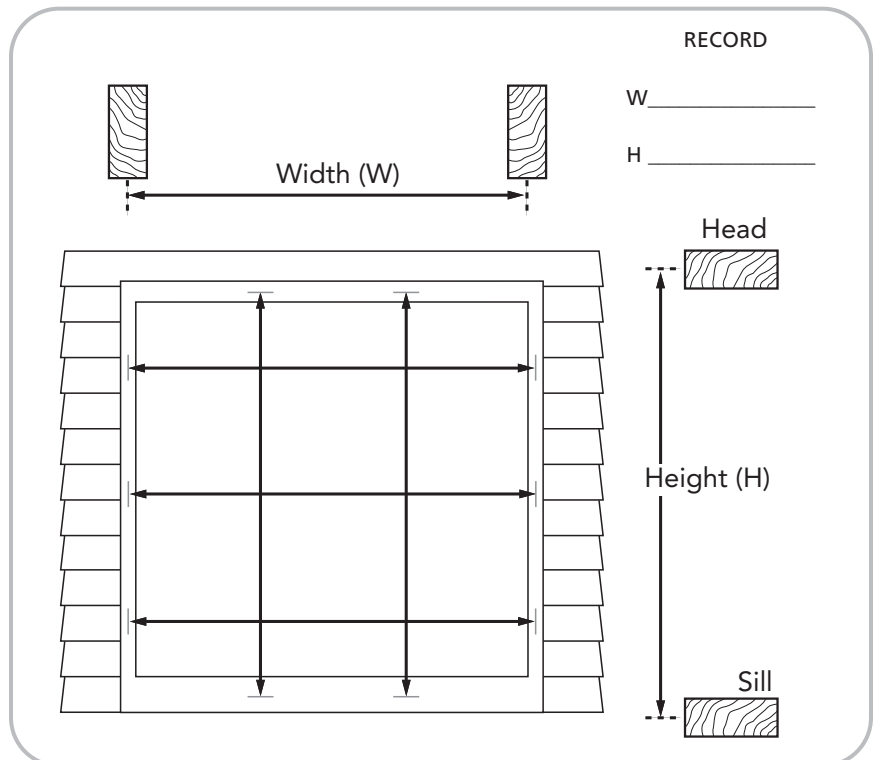
1 MOUNTING

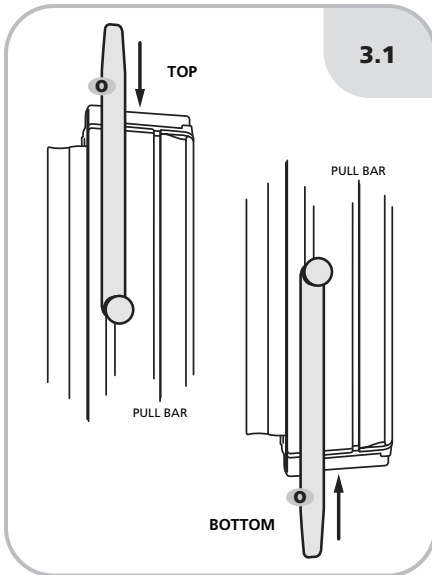
Surface / Flush Mount the A-Screen Cassette using L-Surface Mounting Clips and I-#8 x 3/4" (19mm) Phillips Panhead Screws.



2 MEASURING

Measure the opening width and height in several places and record the smallest width and height measurement.



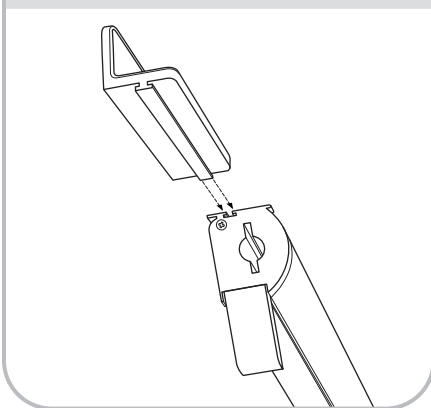


3 **OPTIONAL • INSTALLING THE SLIDE BOLT ACCESSORY LOCK**

Identify which of the two screen panels will be the one most often used to enter and exit the home. You will install the Slide Bolt Accessory Lock on the interior side less used.

In the interior groove of the pull bar, **slide in an S-Slide Bolt at the bottom and then another at the top**. Make certain that the pointed end of each Slide Bolt faces out [3.1].

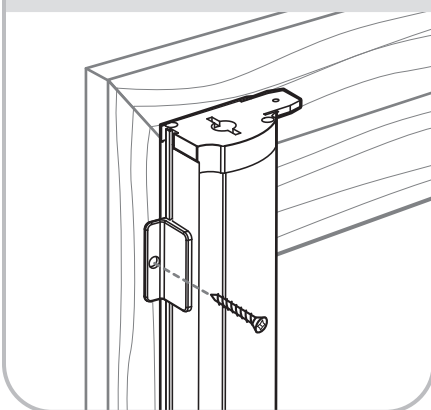
4.1 L-Clips for Surface Install

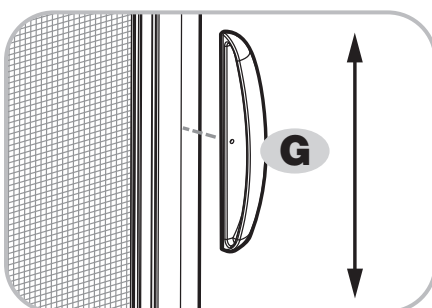
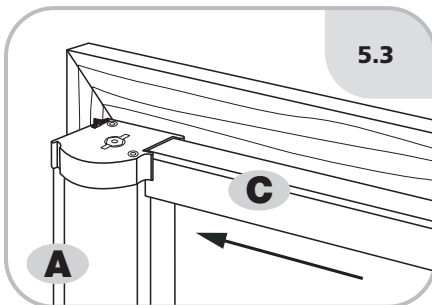
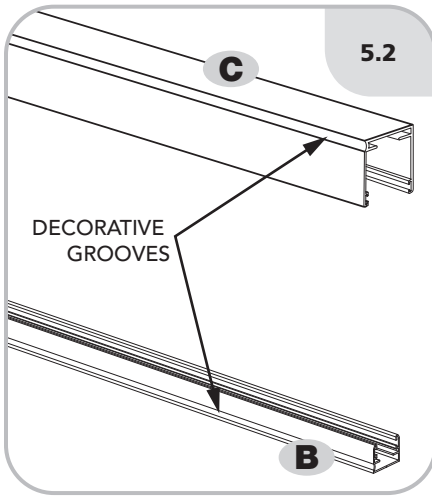
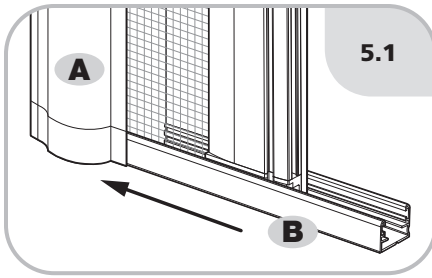


4 INSTALLING THE CASSETTES

Turn the A-Screen Cassette so that the taller of the plastic S-Pull Bar End Cap is at the top. Remove and discard the P-Pile/Weather Strip from the back of both A-Screen Cassette. Slide two L-Surface Mount Clips into the groove on the rear of each of the A-Screen Cassette before proceeding [4.1]. Position one of the A-Screen Cassette, and use I-#8 x 3/4" (19mm) Phillips Panhead Screws to secure L-Surface Mount Clips to the opening [4.2]. The second A-Screen Cassette will be installed at step 6. Please note, a taller screen may include an additional mounting clip to be positioned at center of cassette.

4.2 Surface Installation





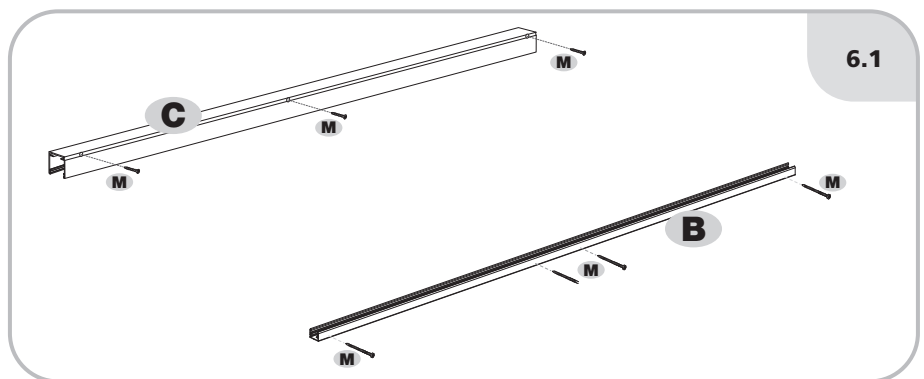
5 INSTALLING THE TOP AND BOTTOM GUIDE RAILS AND SECOND CASSETTE

Turn the second **A-Screen Cassette** so that the taller of the plastic **S-Pull Bar End Cap** is at the top. Slide the **B-Bottom Guide Rail** fully onto the tabs of both the left and right side **A-Screen Cassette End Cap** [5.1]. Slide the **C-Top Guide Rail** onto the tabs of both the left and right side **A-Screen Cassette** [5.3]. Position the second **A-Screen Cassette** while making sure that the entire screen is plumb, level and square. Use **#8 x 3/4" (19mm) Phillips Panhead Screws** to secure the **L-Surface Mount Clips** of the second **A-Screen Cassette** to the opening [4.2]. Note: The **B-Bottom Guide Rail** and **C-Top Guide Rail** each have a decorative groove on one side. This decorative groove should face the outside [5.2].

6 SECURE THE RAILS WITH SCREWS

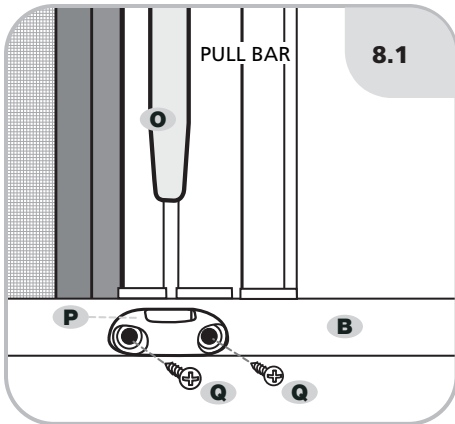
C-Top Guide Rail: Using the **Decorative Trim Groove** [5.2] as a guide, staying above the glide platforms inside the **Top Guide Rail**, drill three (3) **1/8" (3mm)** holes at a location with one positioned **4"** in from each end and one centered as shown [6.1]. Drill through both sides of the **Top Guide Rail**. Secure the **Top Guide Rail** to the entry with **M-1/8" (3mm) x 1-3/4" (44 mm) Surface Mount Screws**. Do not overtighten. Please note, the number of installation screws will vary depending on the opening width.

B-Bottom Guide Rail: Using the **Decorative Trim Groove** [5.2] as a guide (staying underneath the glide platforms inside the **Bottom Guide Rail**), drill four **1/8" (3mm)** holes as shown [6.1] and through both sides of the **B-Bottom Guide Rail**. Secure the rails to the entry using **M-1/8" (3mm) x 1-3/4" (44mm) Surface Mount Screws**. Do not over tighten. If the **B-Bottom Guide Rail** will be positioned where it is susceptible to being stepped upon, kicked or otherwise bent, then add structural support for the **B-Bottom Guide Rail** to rest upon. A **1/2" x 1/2" "L"** shaped aluminum extrusion is recommended. This or another support material may be purchased at a local hardware store.



7 ADJUSTING THE HANDLES

Adjust the **G-Handle** heights by loosening the **Allen-Head Set Screw**, move the **G-Handle** as desired and retighten screw.

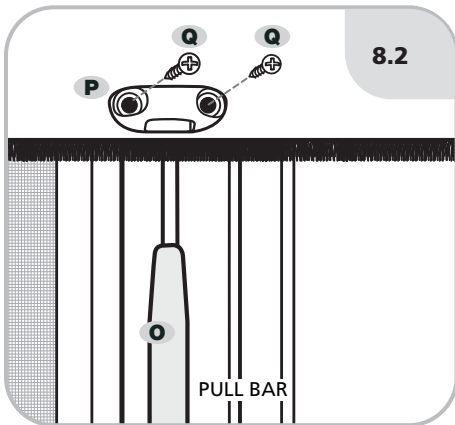


8

OPTIONAL • INSTALLING SLIDE BOLT RETAINERS
(APPLICABLE ONLY IF STEP THREE WAS IMPLEMENTED)

Close the screen doors. Now, on the **B-Bottom Guide Rail** and the **C-Top Guide Rail**, make pencil marks to the center of the channel in which you've installed the Slide Bolts.

Center the bottom **P-Slide Bolt Retainer** to your channel mark, with the bottom of the **Retainer** flush to the bottom of the **B-Bottom Guide Rail**. Pencil mark the position for the screws, set the **Retainer** aside, and drill 1/8" holes. Then attach the **P-Slide Bolt Retainer** using (2) **Q-#4 x 3/8" Phillips Panhead Screws [8.1]**.



Position the top **P-Slide Bolt Retainer** so that it also centers to the channel mark, with the bottom of the **Retainer** flush with the bottom of the **C-Top Guide Rail**. Pencil mark the position for the 4 screws, set aside the **Retainer** and drill 1/8" holes. Attach the top **P-Slide Bolt Retainer** using (4) **Q-#4 x 3/8" Phillips Panhead Screws [8.2]**.

TROUBLESHOOTING GUIDE**THE DOOR'S BOTTOM THRESHOLD SLOPES STEEPLY:**

- ▶ The **Bottom Guide** will not work properly installed at an angle.

Use wedge shims to adjust the **Bottom Guide** until level.

SCREEN IS TORN OR DAMAGED:

- ▶ Replace the mesh using a **Screen Refill Kit**.

**THE CLOSING MAGNETS DO NOT FULLY SEAL
OR THE SCREEN DOES NOT CLOSE EVENLY:**

- ▶ Clean the **Magnets** using mild soap and water.
- ▶ Clean any debris from inside the **Bottom Guide**. Debris can interfere with closing and smooth screen operation.

? INSTALLATION QUESTIONS ? MISSING PARTS ? REPLACEMENT PARTS ?

CONTACT **GENIUS** @ 1.866.523.9511 TOLL FREE • GENIUSSCREENS.COM

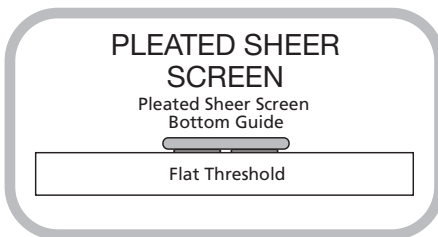
INSTALLATION BULLETIN

for THRESHOLD/SILL APPLICATIONS

There are a multitude of door threshold/sill designs and these must be considered before you install your **Retractable Screen**. For a proper installation, it is important to have or create a level and stable surface for mounting the bottom guide of the retractable screen.

Before beginning, identify the exact location where the **Screen Cassette** will be installed, because this will influence the position of the **Bottom Guide**.

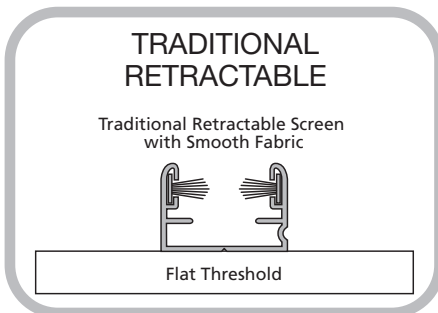
The following are some of the more typical threshold/sill designs and solutions for dealing with these instances.



A1

FLAT THRESHOLD/SILL for PLEATED SHEER SCREEN

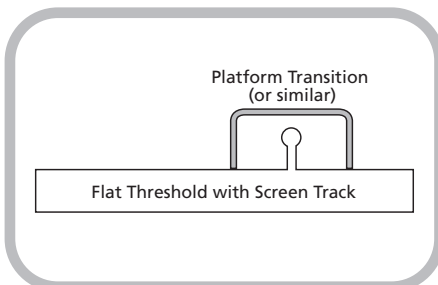
INSTRUCTIONS: Clean the surface and then mount the **Retractable Screen Bottom Guide** directly to the threshold/sill.



A2

FLAT THRESHOLD/SILL for TRADITIONAL SCREENS

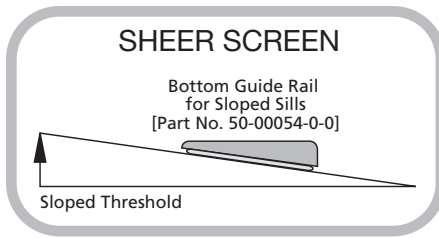
INSTRUCTIONS: Clean the surface and then mount the **Retractable Screen Bottom Guide** directly to the threshold/sill.



B1

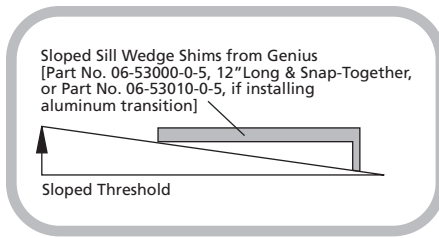
FLAT THRESHOLD/SILL with SCREEN TRACK

INSTRUCTIONS: To span over an existing screen track and create a flat and stable surface, install material such as shown. Most hardware stores sell shim materials or various shaped aluminum profiles to achieve the same result.



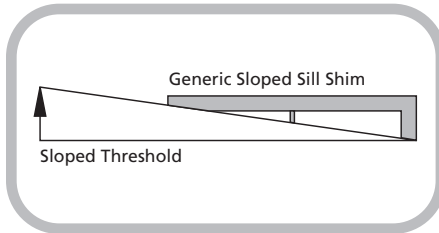
C1 SLOPED THRESHOLD/SILL for PLEATED SHEER SCREEN

INSTRUCTIONS: If installing the Pleated Sheer Screen by Genius, then use the flat **Bottom Guide Rail** that came with the screen (this works even on sloped sills with up to a 5 degree slope). For more severely angled sills, use the special **Pleated Sheer Screen Bottom Guide Rail** designed for **Sloped Sills** [C1].

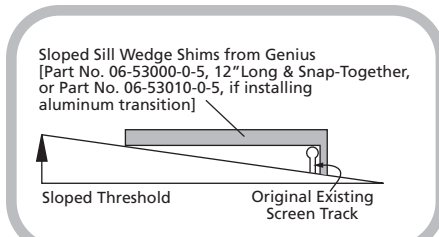


C2 SLOPED THRESHOLD/SILL for TRADITIONAL SCREENS

INSTRUCTIONS: For all other Retractable Screen styles you will need to make a flat and stable surface by installing shim material using the **Genius Sloped Sill Wedge Shims** [Part #: 06-53000-0-5], or [Part # 06-53010-0-5] if installing aluminum transition [C2].

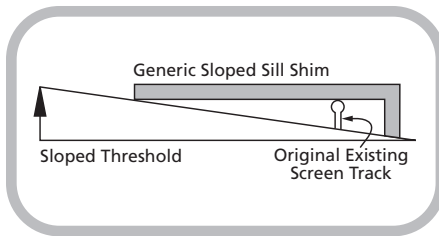


C3 Most hardware stores sell an "L" shaped aluminum trim that works nicely for this purpose [C3].

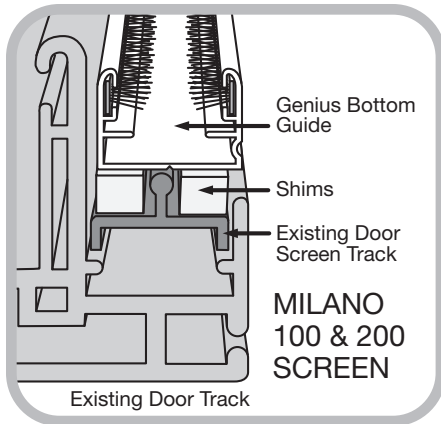


D1 SLOPED THRESHOLD/SILL with SCREEN TRACK

INSTRUCTIONS: To span over an existing screen track and, make a flat and stable surface, install shim material such as the threshold/sill using the **Genius Sloped Sill Wedge Shims** [Part #: 06-53000-0-5], or [Part # 06-53010-0-5] if installing aluminum transition [D1].

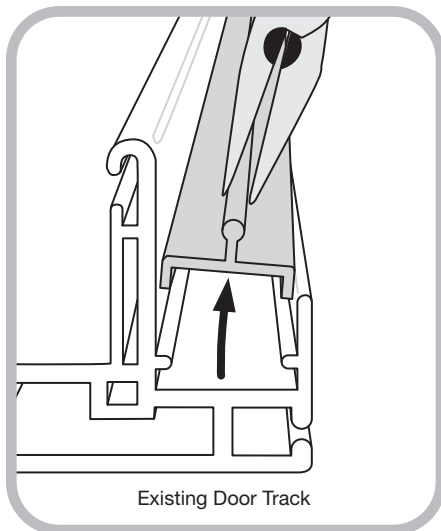


D2 Most hardware stores sell a flat stock or an "L" shaped aluminum trim that works nicely for this purpose [D2].

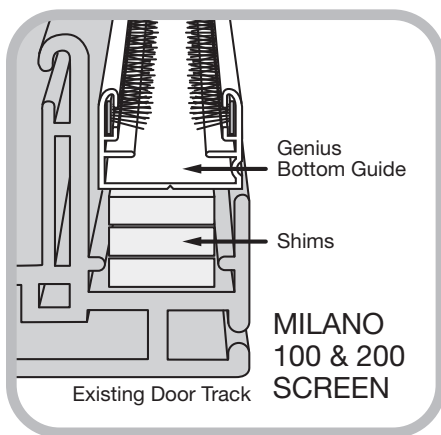


E1 SLIDING PATIO DOOR THRESHOLDS with SCREEN TRACK

INSTRUCTIONS: Many Patio Doors have a **Screen Track [E1]** that will now be obsolete with the installation of your Retractable Screen. For all Genius non-pleated screens, there are instances where resting the **Bottom Guide** above the existing screen track is the desirable method. If needed, add shims to create a stable, level surface for mounting the **Guide**.



E2 If however, the existing door's Screen Track is removable, take out the Track by hand or with pliers [E2].



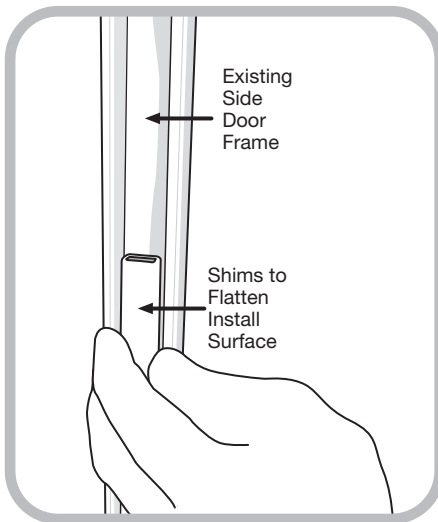
E3 Then add non-degradable shim material (plastic, nylon or similar) [E3] to create a flat and stable surface for the Milano 100 or 200 Retractable Screen Bottom Guide Rail.

Note: Pleated screens require the use of the **Genius Pleated Sheer Screen Surface Mount Kit**. See Installation Bulletin - Genius Pleated Sheer Screen Surface Mount Kit [Publication #50-00074-0-0].



INSTALLATION BULLETIN

for TOP AND SIDE GUIDE RAILS



A1 EXISTING SIDE RAIL PREPARATION with SHIMS

INSTRUCTIONS: Since there are a multitude of door master frame designs, all surfaces where you will be mounting the screen must be considered before you install the Retractable Screen.

In the case of the side rails, again, existing door frames may have multiple channels, or flanges of different heights, that make for a surface too uneven for efficient installation of your new screen. In this case, you will need to shim this channel or channels to the height of the tallest flange in the existing side door frame. It is recommended you order or find shims made of a non-degradable material (plastic or nylon, for example) that can be fitted into the channel(s), of sufficient length to ensure a flat and vertically plumb surface for the new side rail.